

Blue Lagoon

UV-C and Pool equipment

EN | 

PRODUCT CATALOGUE 2025



Leading innovations in UV-C water disinfection



Company Introduction

VGE B.V. is a prominent company dedicated to enhancing the well-being of individuals through timely innovations. Located in the southern part of the Netherlands, we are renowned for manufacturing a unique range of UV-C equipment. Our focus lies in delivering high-quality products and fostering harmonious collaboration with our customers. Being situated in the Brainport Region, the Netherlands' top technology hub, fills us with pride.



As a global leader in the field, VGE B.V. specializes in the development and production of UV-C equipment for various water treatment applications. We constantly introduce new products and continuously enhance our existing offerings. By leveraging large-scale production, we provide our customers with products that offer exceptional price-quality ratios. Sustainability is integrated in our production and development processes, with a strong emphasis on environmental friendliness and energy conservation. With over four decades of experience since our establishment in 1982, we have developed technically advanced products that are used in more than 70 countries worldwide.



Arjan van der Spank
Managing Director VGE



LinkedIn

www.linkedin.com/company/vge-bv



Instagram

www.instagram.com/vgebv/

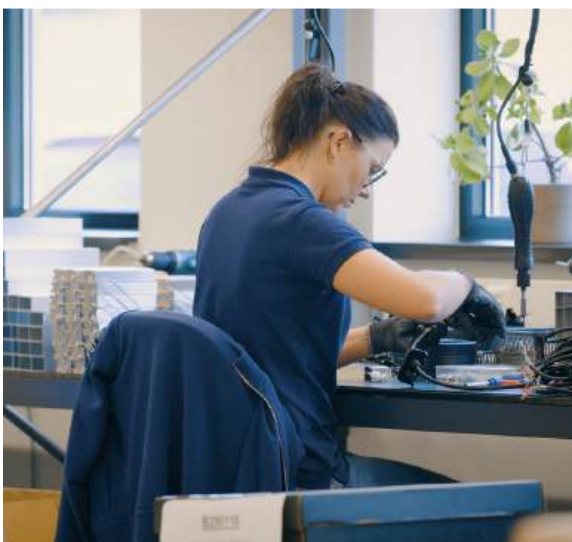


Website

www.bluelagoonuv.com



Benefits of UV-C Treatment



VGE PRO

The VGE Pro range includes an extensive selection of industrial disinfection systems, based on advanced UV-C technology. These UV systems provide thorough cleaning of water, keeping it safe, healthy, and free of algae, bacteria, and viruses.

XCLEAR

Xclear offers leading disinfection solutions for crystal-clear pond water. Whether you are a professional or a hobbyist, Xclear provides a wide range of water UV solutions for ponds of all sizes.

VGE is an organization where honesty humor, joy, hard work, and professionalism go together. We like to describe ourselves as informal and social and put the customer's wishes first!

Our dedicated commercial team eagerly anticipates the opportunity to ensure seamless order processing and deliver the best service and advice to our valued customers. With a combination of passion for technology and knowledge of UV-C, we focus on innovations for a variety of UV-C systems for swimming pools (Blue Lagoon), ponds (Xclear), and the industrial market (VGE Pro).

BLUE LAGOON

Blue Lagoon's UV-C technology offers a sustainable and safe method for disinfecting swimming pool water. UV-C effectively breaks down chloramines, responsible for the unpleasant odor of chlorine, and contributes to the prevention of physical discomforts such as red eyes, skin irritations, and breathing problems.

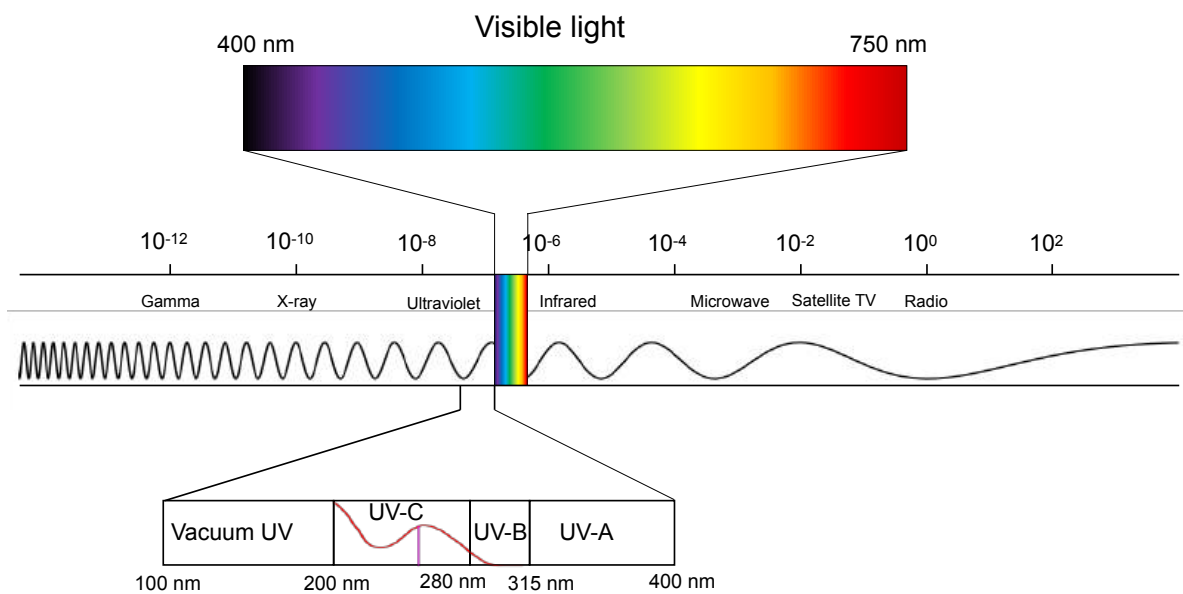
"From domestic and commercial water treatment to industrial water management, VGE B.V. is a leading manufacturer of innovative and sustainable UV-C disinfection solutions for clean and healthy water."





The benefits of UV-C treatment

Electromagnetic spectrum



UV radiation can be divided into four main categories; UV-A, UV-B, UV-C and Vacuum UV. The UV-C spectrum (200 to 280 nanometers) is the most lethal range of wavelengths for microorganisms. UV-C radiation can cause permanent damage to microorganisms. Each type of microorganism requires a specific UV-C radiation exposure rate to successfully complete the disinfection process.

The targeted microorganism must be directly exposed to the UV-C radiation long enough for the radiation to penetrate the microorganism's cell wall. However, it takes only a fraction of a second for UV-C radiation to inactivate waterborne microorganisms by breaking through the microorganism's cell wall and damaging their DNA. This often destroys the organism, or at the very least will impair its ability to reproduce.



UV radiation is effective against all microorganisms

Water purification by UV-C radiation is the most effective sanitizing method available today. UV radiation destroys microorganisms in domestic pools up to 99.9%.

UV pool sanitizers contribute to cristal-clear water

The most important perpetrator of cloudy water, microorganisms such as algae, will be eliminated by UV-C pool sanitizers. Chloramines can also be the indirect cause of cloudy water, especially when the disinfection level of free chlorine in the water is too low. UV-C lamps are able to typically destroys microorganisms up to 99.9% and breaks down chloramines up to 80%.

With UV purifiers, you can reduce the use of chemicals for water treatment

UV-C purification makes sure there is more stability in pools and spas, therefore adding extra chemicals can be prevented.

The end user will have lower costs in chemicals and maintenance

Materials in and around the pool suffer from chemicals added to the pool water. Because UV-C radiation destroys most of the harmful chloramines in the water, the materials in and around the pool get affected much less and need less maintenance.

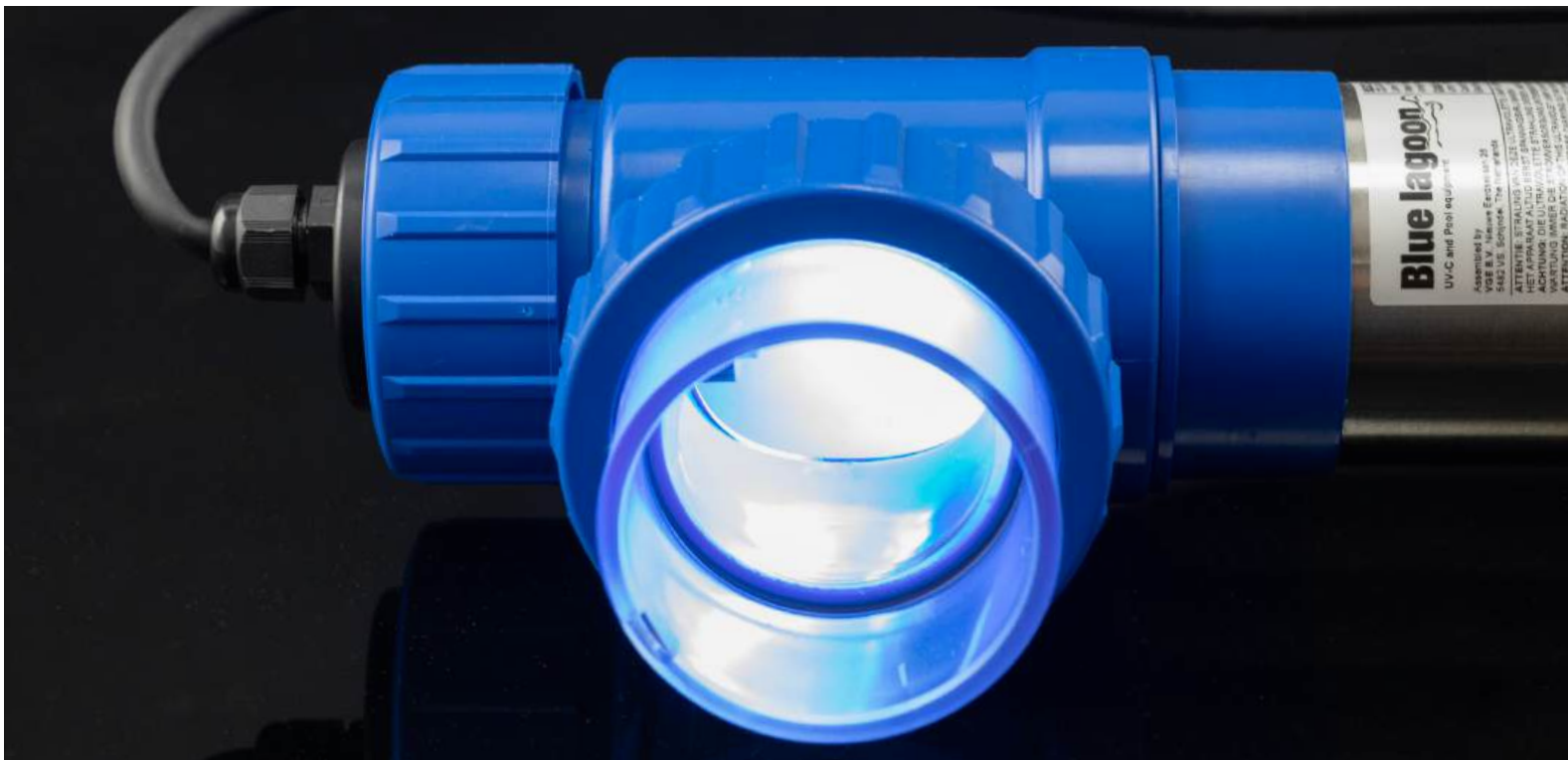
There is no risk of overdosing with UV pool sanitizers

Overdosing chemicals in pools and spas can, as mentioned before, causing serious health problems and even foamy or cloudy water. UV radiation cannot be overdosed and destroys all of the microorganisms.

UV is a green, non-hazardous technology

Last but not least - UV radiation is an environmentally friendly way to sanitize pool water!





Index

Company Introduction	2	Blue Lagoon Xpose UV-C	36
UV-C Treatment	4	Blue Lagoon SpAOP UV-C T5 21 W	40-43
Overview	7	Blue Lagoon Spa UV-C T5 21 W	44
Blue Lagoon Xpert-Series	8	Blue Lagoon Spa UV-C PLS 12 W	46
Blue Lagoon Xpert MP 400 UV-C	10	Private Label: Add value to your UV-C units	48
Blue Lagoon Xpert MP 600 UV-C	12	Pool bonding	50
Blue Lagoon Xpert Buster UV-C	14	Corrosion of metal parts and devices in swimming pools	51
Blue Lagoon Xpert Compact AOP UV-C	16-19	VG E Pro Systems	52 - 55
Blue Lagoon Xpert-Duplex UV-C	20	VG E UV-C Lamps	57 - 59
Blue Lagoon Inox UV-C	24	Blue Lagoon Copper Electrolyzer	62
Blue Lagoon Signal UV-C	26	Blue Lagoon ProfiHeater 3 kW	64
Blue Lagoon Timer UV-C 4ALL	28	Blue Lagoon Dosatech	66
Blue Lagoon Tech UV-C 4ALL	30	Blue Lagoon Flow Switch Plus	68
Blue Lagoon Tech UV-C	32	Installation Examples	70
Blue Lagoon Copper Ioniser UV-C	34	General terms and conditions of sale VG E B.V	71



UL certified

UL is a world leader in product safety testing and certification. For more than a 100 years, manufacturers have had their merchandise evaluated and tested for safety risks by an independent, third-party safety certification organization.



Stainless steel housing

A stainless steel interior provides a reflection of UV radiation and this increases the efficiency of the radiation by up to 35%. In addition, the stainless steel ensures a longer life of the housing.



ETL certified

The ETL Listed Mark is proof that your product has been independently tested and meets the applicable published standard. The ETL Mark is proof of product compliance to North American safety standards.



Duplex

a Duplex housing adds corrosion resistance at a much higher level. As opposed to 316L Duplex is suitable for all water types.



Pool Pro Only

The product is only intended for professional use. It should be installed in a professional application or assembled with other applications.



Salt-water

These units are suitable for salt-water applications. They are designed to avoid corrosion or damage of the unit from the salt-water.

HET APPARAAT ALTIJD VEILIG EN NIET OVERHOEDIG ACHTING: DIER DE AANBEVELINGEN EN DE AANBEVELINGEN VAN DE FABRICANT. LET OP DE AANBEVELINGEN VAN DE FABRICANT. LET OP DE AANBEVELINGEN VAN DE FABRICANT. LET OP DE AANBEVELINGEN VAN DE FABRICANT.

Overview

Model number	Model Name	Recommended Flow Rate for 30mJ/cm ²	Max. working pressure in Bar	Maximum flow rate in m ³ /h	UV-C Lamp	Brand lamp	Inlet/outlet diameter (mm/inch)	Height of reactor in cm ±	Distance between inlet / outlet in cm ±	Weight in kg ±
BPM00401	Xpert MP UV-C 400 W	13***	10	8***	1 x MP 400 W SBT	VGE	2"	25		2 + 4**
BPM00601	Xpert MP UV-C 600 W	19****	10	12****	1 x MP 600 W SBT	VGE	DN 80	28		11 + 4**
BP07082	Xpert Buster UV-C 80 W ø 114	15	4	20	1 x 80 W	VGE - LightTech	2"	93	73,3	9,7
BP07133	Xpert Buster UV-C 140 W ø 114	23	4	28	1 x 140 W Amalgam	VGE - LightTech	2"	93	72	9,6
BP07132	Xpert Buster UV-C 140 W ø 154	23	4	28	1 x 140 W Amalgam	VGE - LightTech	2,5"	93	72	9,6
BP07392	Xpert Buster UV-C 420 W ø 219	49*	4	49	3 x 140 W Amalgam	VGE - LightTech	3"	93	70,4	22,4
BH12752	Xpert Compact AOP UV-C Timer 75 W	18	2,5	23	1 x 75 W / Ozone	VGE - LightTech	63-50	100	77	8,4
BH12753	Xpert Compact AOP UV-C 75 W	18	2,5	23	1 x 75 W / Ozone	VGE - LightTech	63-50	100	77	8,4
BP08752	Xpert Duplex UV-C 80 W	17	2,5	23	1 x 80 W	VGE - LightTech	63-50	100	77	5,5
BP08132	Xpert Duplex UV-C 140 W	23	2,5	23	1 x 140 W Amalgam	VGE - LightTech	63-50	100	77	5,6
BP02752	Inox UV-C 75 W	18	5	23	1 x 75 W	Philips	2"	100	78,5	7,2
BP02132	Inox UV-C 130 W	22	5	23	1 x 130 W Amalgam	Philips	2"	100	78,5	7,3
BE11402	Signal UV-C 40 W	11	2	23	1 x 40 W	VGE - LightTech	63-50	100	77	4,1
BH11752	Signal UV-C 75 W	16	2	23	1 x 75 W	VGE - LightTech	63-50	100	77	4,3
BH11402	Signal UV-C 130 W	22	2	23	1 x 130 W Amalgam	VGE - LightTech	63-50	100	77	4,5
BH01402	Timer UV-C 4ALL 40 W	11	2	23	1 x 40 W	Philips	63-50	100	77	4,1
BH01752	Timer UV-C 4ALL 75 W	16	2	23	1 x 75 W	Philips	63-50	100	77	4,3
BH01132	Timer UV-C 4ALL 130 W	22	2	23	1 x 130 W Amalgam	Philips	63-50	100	77	4,5
BD01402	Tech UV-C 4ALL 40 W	11	2	23	1 x 40 W	VGE - LightTech	63-50	100	77	3,6
BD01752	Tech UV-C 4ALL 75 W	16	2	23	1 x 75 W	VGE - LightTech	63-50	100	77	3,9
BD01132	Tech UV-C 4ALL 130 W	22	2	23	1 x 130 W Amalgam	Philips	63-50	100	77	5,0
BE02162	Tech UV-C 16 W	5	2	23	1 x 16 W	VGE - LightTech	63-50	56	34	2,8
BE02402	Tech UV-C 40 W	11	2	23	1 x 40 W	VGE - LightTech	63-50	100	77	3,6
BE02752	Tech UV-C 75 W	16	2	23	1 x 75 W	VGE - LightTech	63-50	100	77	3,9
BE03132	Tech UV-C 130 W	22	2	23	1 x 130 W Amalgam	Philips	63-50	100	77	5,0
BH04402	Copper Ionizer UV-C 40 W	11	2	23	1 x 40 W	VGE - LightTech	63-50	100	77	5,0
BH04752	Copper Ionizer UV-C 75 W	16	2	23	1 x 75 W	VGE - LightTech	63-50	100	77	5,2
BE09422	Xpose	14	1	15	1 x 42 W	VGE	32-38-60	55	19	4,5
BE01215	SpaAOP UV-C 21 W	3	1	8	1 x 21 W	VGE - LightTech	50	35	17	1,7
BE01217	SpaAOP UV-C 21 W - U20	2,5	1	6	1 x 21 W	VGE - LightTech	50	35	22	1,7
BE01216	SpaAOP UV-C 21 W - Z20	2,5	1	6	1 x 21 W	VGE - LightTech	50	35	22	1,7
BE01212	Spa UV-C 21 W	3	1	8	1 x 21 W	VGE - LightTech	50	35	17	1,7
BE01213	Spa UV-C 21 W - U20	2,5	1	6	1 x 21 W	VGE - LightTech	50	35	22	1,7
BE01214	Spa UV-C 21 W - Z20	2,5	1	6	1 x 21 W	VGE - LightTech	50	35	22	1,7
BE01122	Spa UV-C 12 W	3	1	8	1 x 12 W	Philips	50	40,5	17	1,6

* Recommend flow rate for 40 mJ/cm²

** 4 kg weight of the control monitor

*** flow 400 J/m² (Disinfection) 13 m³/h

**** Flow 400 J/m² (Disinfection) 19 m³/h

flow 600 J/m² (Chloramine reduction) 8 m³/h

Flow 600 J/m² (Chloramine reduction) 12 m³/h



Blue Lagoon Xpert-Series especially for Pool professionals!



MP400



MP600



Buster 420 - 140 - 140/80

The Blue Lagoon Xpert range is specifically branded and designed for pool professionals! This range includes 5 models, available in various wattages. The UV-C units come with a practical and professionally designed Timer box that features a LED-timer, ensuring accurate monitoring and visualization of the lamp's lifespan.

Blue Lagoon Xpert medium pressure UV-C

The medium pressure UV lamps emit a wide spectrum of Ultraviolet (UV) light which not only gives very good disinfection results but is also excellent for photolysis applications like the reduction of chloramine in pool

applications. The single ended lamp in combination with the S.B.T. (Single-end Bayonet Technology) and the on-chamber visual lamp status indication makes the systems extremely user friendly.

Blue Lagoon Xpert Buster UV-C

The Buster UV-C is made out of 316L stainless steel and comes in the types: 80 W, 140 W amalgam or 420 W (3x 140 W) amalgam. These units are equipped with interchangeable supports for easy installation horizontally and vertically.



Duplex

Blue Lagoon Xpert Duplex UV-C

The Duplex UV-C is made out of Duplex stainless steel and comes in two types: 80 W and 140 W amalgam. The unit is suitable for all types of swimming pools, such as chlorinated and salt-water (electrolysis) pools. The Duplex stainless steel will not be affected by the salt-water and this prevents corrosion to the housing.



AOP

Blue Lagoon Xpert Compact AOP UV-C

The combination of ozone and UV-C, integrated in this cleverly designed disinfection system, ensures fresh and healthy pool water with the possibility of providing a minimum use of chlorine. The lamp has a double function, producing ozone and UV-C radiation at the same time. The ozone in the water will be completely broken down by the UV-C radiation. Because of this, so called OH-radicals are being produced which have a high oxidation potential. This results in oxidation of the organic pollution in the water and the UV-C radiation will also disinfect the water at the same time.

MP 400 W



Blue Lagoon Xpert UV-C MP 400 W



Blue Lagoon Xpert UV-C MP 400 W

The Blue Lagoon Xpert-series medium pressure UV lamps emit a wide spectrum of Ultraviolet (UV) light, which gives very good disinfection results and is also excellent for photolysis applications like the reduction of chloramine in pool applications. The single ended lamp in combination with the S.B.T. (Single-end Bayonet Technology) and the on-chamber visual lamp status indication makes the systems extremely user friendly. The unit has a compact design and a cross flow irradiation chamber design with low pressure loss. The single-ended lamp is easy to (re)place.



Advantages of the Blue Lagoon Xpert UV-C MP 400 W

- Effective chloramine reduction
- Compact chamber design
- The breakdown of chloramines ensures less water change and therefore less consumption of water
- Easy to (re)place single ended lamp and while system is pressurised fast lamp replacement without tools
- Visual lamp indication in the lamp head
- Fast lamp replacement without tools
- Glass bead-blasted chamber of stainless steel 316L
- Cross flow irradiation chamber design, low pressure loss
- Electronic lamp power supply
- Long lamp life
- Internal irradiation chamber finish of RA 0,8 µm
- Less use of chemicals
- Made in the Netherlands

Blue Lagoon Xpert UV-C MP 400 W Technical



	400 W
Art. number	BPM00401
Type	400-85
EAN	8714404042338
Max. pressure	10 bar
flow 400 J/m ² (Disinfection)	13 m ³ /h
flow 600 J/m ² (Chloramine reduction)	8 m ³ /h
Diameter unit Ø	85 mm
Length unit	25 cm
Diameter in-outlet Ø	2" male
Housing material	316L
Control panel	Compact
Lamp power	400 W
Lamp	Blue Lagoon MP 400 W SBT
Lifespan lamp	9.000 hours UV-C
Bi-metal switch	✓
Indicator	✓
Replace lamp alert	✓
Flow switch	-
Weight	2 Kg + 4 Kg (weight of electrical part)
Quantity full pallet	16



Spare parts

A	F980600	Lamp Blue Lagoon MP 400 W SBT
B	QG101	Quartz Glass MP 195 x 38 x 1,5 mm (400 - 600 W)
D	EPM00402	Blue Lagoon Xpert UV Electrical Part MP Compact 400
G	SP0054	Seal Service Set MP UV-C

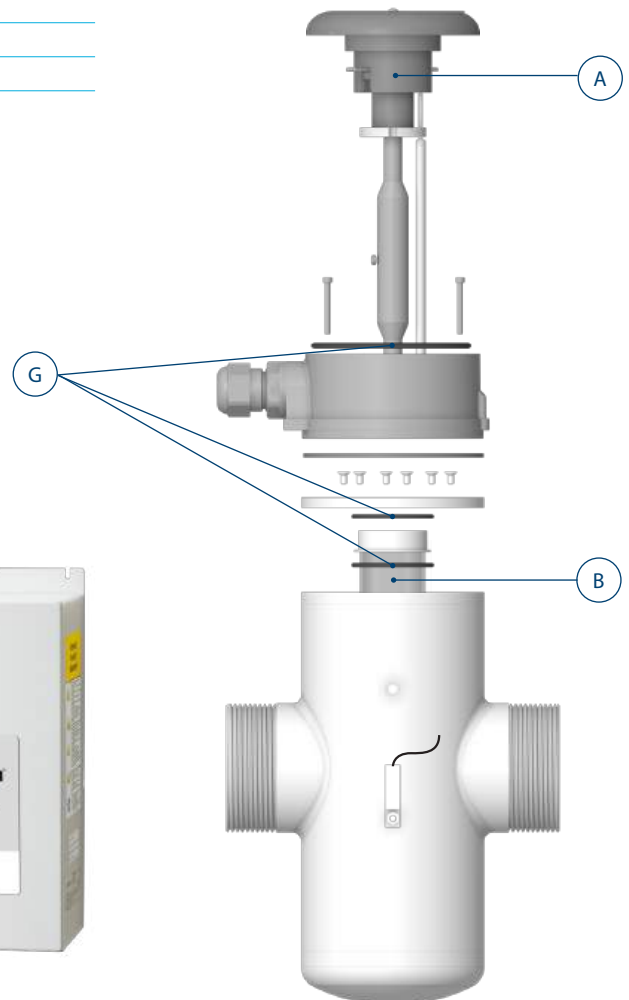
Optional

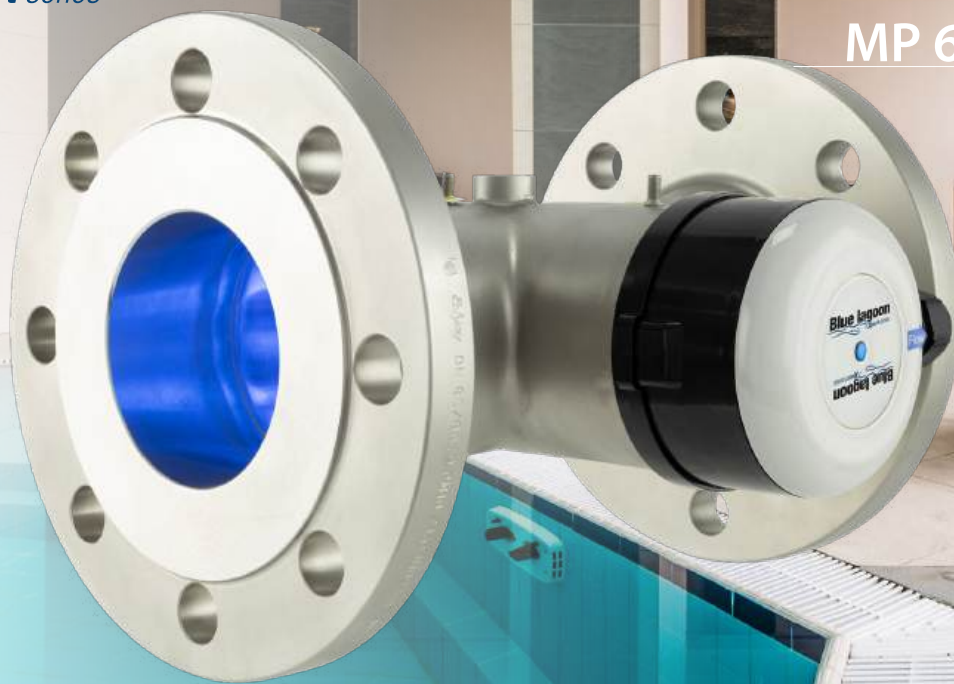
*	SP0058	Torque screwdriver
----------	--------	--------------------

F980600 - Lamp Blue Lagoon MP 400 W SBT



Thermostat Bi-metal switch 60 °C 10 m cable





Blue Lagoon Xpert UV-C MP 600 W



Blue Lagoon Xpert MP 600

The Blue Lagoon Xpert-series MP 600 is a robust and reliable UV system for, not only the disinfection of water in many industries but also for an excellent reduction of chloramines in pool water treatment applications. The single ended lamp in combination with the S.B.T. (Single-end Bayonet Technology) and the on-chamber visual lamp status indication makes the systems extremely user friendly. The 316L stainless steel treatment chamber is equipped with DN 80 flanges for easy installation. The MP 600 unit has a compact design and a cross flow irradiation chamber design with low pressure loss. The single-ended lamp is easy to (re) place. Last but not least, the Blue Lagoon medium-pressure MP 600 offers an effective chloramine reduction.

Advantages of the Blue Lagoon Xpert UV-C MP 600

- Compact chamber design
- Easy to (re)place single ended lamp
- Visual lamp indication in the lamp head
- Easy to (re)place single ended lamp and while system is pressurised fast lamp replacement without tools
- Glass bead-blasted chamber of stainless steel 316L
- Cross flow irradiation chamber design, low pressure loss
- Electronic lamp power supply
- Long lamp life
- Internal irradiation chamber finish of RA 0,8 µm
- Less use of chemicals
- Effective chloramine reduction
- Made in the Netherlands

Blue Lagoon Xpert UV-C MP 600 W Technical



		600 W
Art. number		BPM00601
Type		600-85
EAN		8714404042406
Max. pressure		10 bar
Flow 400 J/m ² (Disinfection)		19 m ³ /h
Flow 600 J/m ² (Chloramine reduction)		12 m ³ /h
Diameter unit Ø		85 mm
Length unit		28 cm
Diameter in-outlet Ø		DN 80
Housing material		316L
Control panel		Compact
Lamp power		600 W
Lamp		Blue Lagoon MP 600 W SBT
Lifespan lamp		9.000 hours UV-C
Bi-metal switch		✓
Indicator		✓
Replace lamp alert		✓
Flow switch		-
Weight		11 Kg + 4 Kg (weight of electrical part)
Quantity full pallet		16



Spare parts

A	F980605	Lamp Blue Lagoon MP 600 W SBT
B	QG101	Quartz Glass MP 195 x 38 x 1,5 mm (400 - 600 W)
D	EPM00603	Blue Lagoon Xpert UV Electrical Part MP Compact 600
Y	B212103	Stainless steel 316L plug 1/4" with collar
Z	SP0054	Seal Service Set MP UV-C

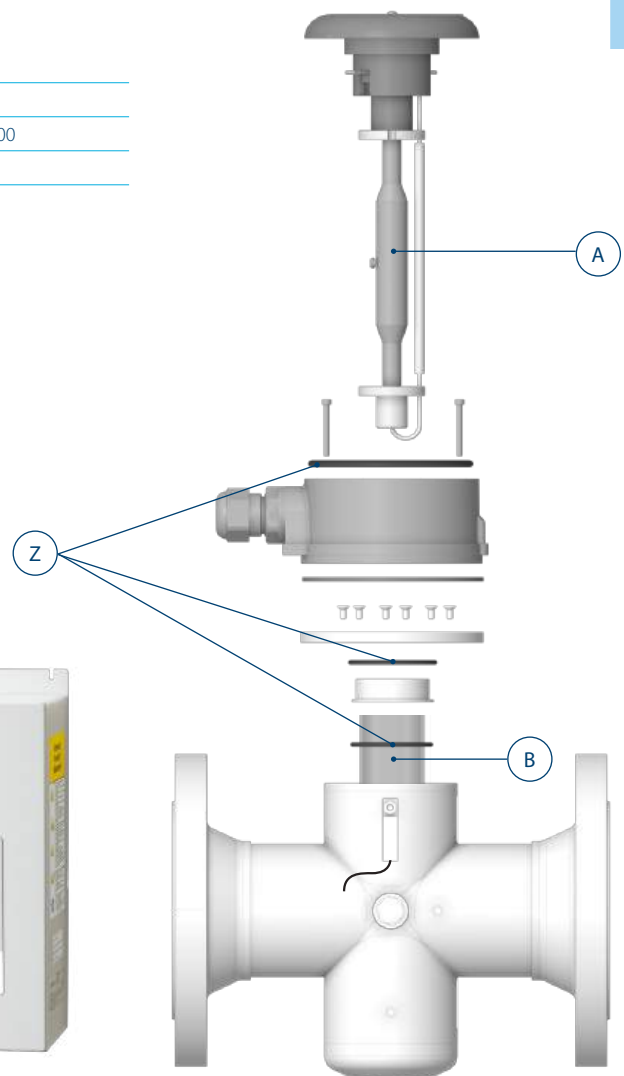
Optional

*	SP0058	Torque screwdriver
----------	--------	--------------------

F980605 - Lamp Blue Lagoon MP 600 W SBT



Thermostat Bi-metal switch 60 °C 10 m cable





Buster

Blue Lagoon Xpert Buster UV-C



Blue Lagoon Xpert Buster UV-C

The Buster UV-C is made out of 316L stainless steel and comes in the types: 80 W, 140 W amalgam or 420 W (3x140 W) amalgam.

Accessible ease of use

The Blue Lagoon Xpert Buster UV-C is fully equipped. The lamp life is up to 16.000 hours. In addition, a flow switch switches off the lamp if there is insufficient water flow. There is a LED indicator that informs about lamp life and the transparent lamp head allows for easy visual lamp inspection.

Easy to install

Whether you want to place this UV-C unit horizontally or vertically, the interchangeable supports make both possible.

In addition, the cable between the timer box and the unit is extra long for optimal flexibility.

Advantages of the Blue Lagoon Xpert Buster UV-C

- Up to 35% higher UV-C yield
- Crystal clear water guaranteed
- Long lamp life (up to 16.000 hours)
- Easy to maintain
- Can be placed both horizontally and vertically
- Made in the Netherlands
- The Buster units are equipped with interchangeable supports for easy installation horizontally and vertically

Blue Lagoon Xpert Buster UV-C Technical



	80 W Ø 114	140 W Ø 114	140 W Ø 154	420 W Ø 219
Art. number	BP07082	BP07133	BP07132	BP07392
Type	80 W	140 W	140 W	420 W
EAN	8714404040136	8714404040990	8714404045216	8714404045773
Rec. flow for 30 mJ/cm ²	15 m ³ /h	24 m ³ /h	34 m ³ /h	49 m ³ /h (for 40 mJ/cm ²)
Max. pressure	4 bar	4 bar	4 bar	2,5 bar
Max. flow	20 m ³ /h	28 m ³ /h	39 m ³ /h	49 m ³ /h
Diameter unit Ø	114 mm	114 mm	154 mm	219 mm
Length unit	93 cm	93 cm	93 cm	93 cm
Diameter in-outlet Ø	2" male threaded	2" male threaded	2,5" male threaded	3" male threaded
Housing material	AISI 316L	AISI 316L	AISI 316L	AISI 316L
Electronic ballast	230 V AC 50 Hz	230 V AC 50 Hz	230 V AC 50 Hz	230 V AC 50 Hz
Lamp power	80 W	140 W	140 W	3 x 140 W
Lamp	VGE T5 80 W 4P	VGE T6 140 W Amalgam 4P	VGE T6 140 W Amalgam 4P	3x T6 140 W Amalgam 4P
Operating environment ballast temperature	1-40 °C	1-40 °C	1-40 °C	1-40 °C
Lifespan lamp	9.000 h UV-C	16.000 h UV-C	16.000 h UV-C	16.000 h UV-C
Indicator	√	√	√	√
Replace lamp alert	√	√	√	√
Flow switch	-	√	√	√
Quantity full pallet	27 pcs	27 pcs	21 pcs	8 pcs



Spare parts

A	F980010AM	Lamp VGE T5 80W 4P Base X AM Packed
	F980020	Lamp VGE T6 140W Amalgam 4P Base X AM Packed
B	QG075	Quartz Glass VSC 870 x 30 mm 140 W AM
C	E800912	Set (3pcs) O-ring for quartz glass
D	EP080020	Electrics Xpert Buster UV-C 80 W
	EP130016	Electrics Xpert Buster UV-C 140 W incl. flow switch
	EP420002	Electrics Xpert Buster UV-C 420 W incl. flow switch
E	B212130	Housing Xpert Buster UV-C 80 W / 140 W - Ø 114 mm
	B212131	Housing Xpert Buster UV-C 140 W - Ø 154 mm
	B212120	Housing Xpert Buster UV-C 420 W - Ø 219 mm
M	B290020	Reduction piece 63/63 mm 3/4" male threaded for flow switch
	B290021	Reduction piece 60.3/60.3 mm 3/4" USA/UK male threaded for flow switch
U	E801533	Adjustable foot stainless steel M8

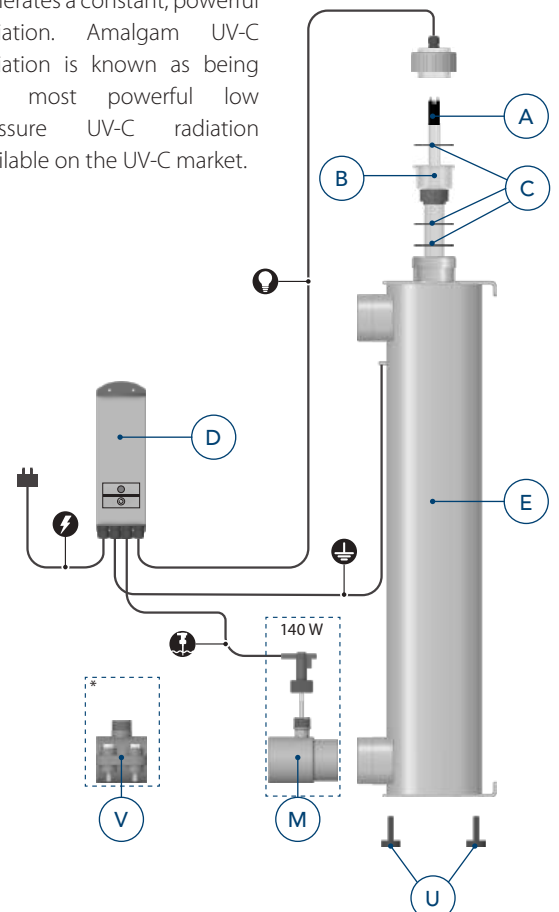
* Optional part

SP0070	Tapping saddle 50 x 3/4" male thread for flow switch
V	SP0071 Tapping saddle 63 x 3/4" male thread for flow switch
SP0072	Tapping saddle 75 x 3/4" male thread for flow switch



Amalgam lamp

The amalgam version includes a flow switch that will turn off the lamp when the flow is too low. The UV-C amalgam lamp is less affected by temperature fluctuations in the water and generates a constant, powerful radiation. Amalgam UV-C radiation is known as being the most powerful low pressure UV-C radiation available on the UV-C market.





AOP

Blue Lagoon Xpert Compact AOP UV-C



Triple disinfection for maximum protection

Say goodbye to smelly, chlorine-filled pool water with the Blue Lagoon Xpert Compact AOP UV-C. This innovative disinfection system is the ultimate solution to keep your pool water fresh and healthy with minimal chlorine usage. It provides triple disinfection, combining ozone, OH-radicals, and UV-C to ensure maximum protection against harmful bacteria and viruses.

Advantages of the Blue Lagoon Xpert Compact AOP UV-C

- This unit provides triple disinfection: ozone, OH radicals and UV-C
- A stand-alone electronic ballast to guarantee an efficient and stable power supply in addition to maximum installation flexibility
- Up to 35% more UV-C yield as a result of reflection by the stainless steel reactor
- Duplex stainless steel housing, suitable for use in chlorine and salt electrolysis pools
- The ozone UV-C lamp produces ozone and UV-C for 9.000 hours
- The device will indicate when the lamp needs replacing
- Easy installation and maintenance
- Made in the Netherlands



Blue Lagoon Xpert Compact AOP UV-C

Operation

The combination of ozone and UV-C makes it possible to have a pool with minimal chlorine usage. Through the supplied venturi, air is sucked in from the outside into the space between the UV-C lamp and the quartz sleeve. The special UV-C lamp generates radiation of both 254nm and 185nm. The 185nm radiation converts the available oxygen into ozone. The produced ozone (max. 0,6 g/h) is mixed with water through the venturi to perform its disinfection and oxidising job. Inside the UV-C housing, any residual ozone will be converted by the 254 nm UV-C radiation into OH radicals (the so called Advanced Oxidation Process) that have an even stronger oxidising power than ozone.

Revolutionary Operation for Maximum Results

Blue Lagoon Xpert Compact AOP UV-C's revolutionary combination of ozone and UV-C produces OH radicals that have an even stronger oxidizing power than ozone, resulting in the oxidation of organic pollutants in the water. This system's double-function lamp produces both ozone and UV-C, ensuring that the water is disinfected and purified at the same time.

Long-Lasting Performance and Easy Maintenance

The device's ozone UV-C lamp produces ozone and UV-C for up to 9.000 hours, and the unit will indicate when the lamp needs replacing. Additionally, the Blue Lagoon Xpert Compact AOP UV-C is easy to install and maintain, making it a hassle-free solution for clean pool water.

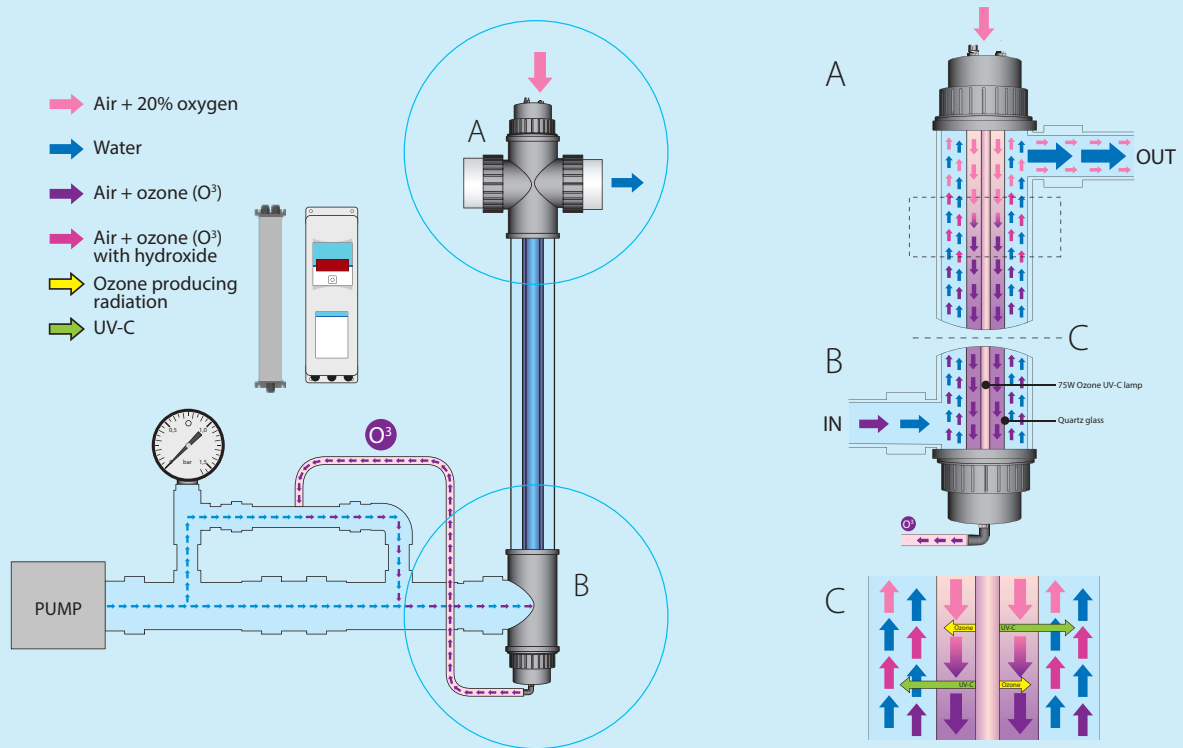
The combination of ozone and UV-C, integrated in this cleverly designed disinfection system, ensures fresh and healthy pool water with the possibility of providing a minimum use of chlorine.



What is AOP?

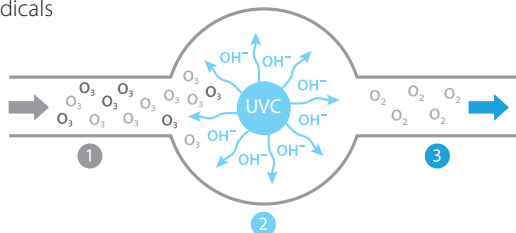
The VGE Advanced Oxidation Process (AOP) combines the benefits of ozone and UV-C into one device. When ozone is used in combination with UV-C light in water, hydroxyl radicals ($\cdot\text{OH}$) are created. These radicals are very effective in oxidizing micropollutants in the water and therefore reducing the organic and inorganic pollution in the water. Chlorine disinfection by-products such as THM and chloramines are being reduced. The UV-C light not only disinfects the water very effectively, also chlorine resistant organisms like Cryptosporidium and Giardia are successfully being inactivated. Lastly it directly reduces the chloramines in the water. The UV-C system is designed in a way that all the ozone in the water is being used for the AOP process, therefore no deozonation device is needed if the advised flowrates are met. AOP is a very effective and efficient way of sanitizing and disinfecting your pool. As a result the amount of chlorine in a pool can be kept to a minimum.

Blue Lagoon Xpert Compact AOP UV-C



More about AOP

The Advanced Oxidation Process (AOP) is the best available water treatment technology at this moment. AOP uses •OH radicals which have the highest oxidation potential of oxidants that can be used in water treatment systems. When dissolved ozone (1) is irradiated by UV-C radiation in a UV treatment chamber (2), then •OH-radicals are created. The lifetime of OH-radicals is extremely short, because of that the entire treatment process takes place within the UV treatment chamber. Treated water (3) is without •OH-radicals



The lamp has a double function, producing ozone and UV-C radiation at the same time. The ozone in the water will be completely broken down by the UV-C radiation. Because of this, so called OH-radicals are being produced which have a high oxidation potential. This results in oxidation of the organic pollution in the water and the UV-C radiation will also disinfect the water at the same time.

Benefits AOP:

- Strong combination of ozone (oxidation) and UV-C (disinfection);
- Improves the disinfection efficiency;
- Makes a pool with a minimal amount of chlorine possible;
- Effective against chlorine-resistant microorganisms;
- Prevents skin and eye irritation;
- Can be quickly added to existing filtration systems.



	Compact Timer 75 W	Compact 75 W
Art. number	BH12752	BH12753
Type	75 W	75 W
EAN	8714404040617	8714404042352
Rec. flow for 30 mJ/cm ²	18 m ³ /h	18 m ³ /h
Max. pressure	2,5 bar	2,5 bar
Max. flow	23 m ³ /h	23 m ³ /h
Diameter unit Ø	70 mm	70 mm
Length unit	100 cm	100 cm
Diameter in-outlet Ø	63 mm / 50 mm / 1½"	63 mm / 50 mm / 1½"
Housing material	DUPLEX	DUPLEX
Electronic ballast	230 V AC 50 Hz	230 V AC 50 Hz
Lamp power	75 W	75 W
Lamp	VGE T5 75 W Ozone	VGE T5 75 W Ozone
Lifespan lamp	9.000 hours Ozone - 9.000 hours UV-C	9.000 hours Ozone - 9.000 hours UV-C
Ozone	0,6 gr/h	0,6 gr/h
Timer	√	-
Replace lamp alert	√	-
Weight	5,6 Kg	5,6 Kg
Quantity full pallet	30 pcs	30 pcs



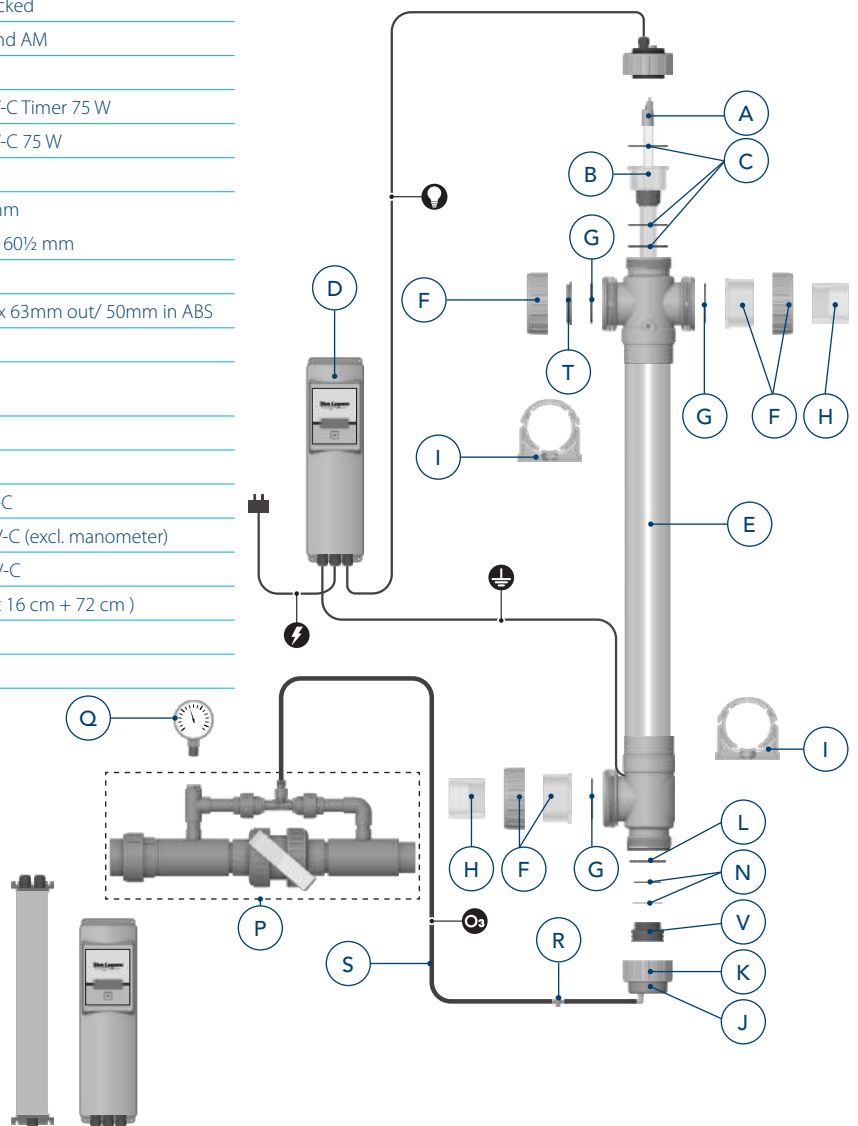
Spare parts

A	4800033AM	Lamp VGE T5 75W Ozon Base H AM Packed
B	QG109	Quartz Glass VSC 925 x 30 mm open end AM
C	E800912	O-Ring for quartz sleeve (3 pieces)
D	EP075070	Electrics for BL Xpert Compact AOP UV-C Timer 75 W
D	EP075083	Electrics for BL Xpert Compact AOP UV-C 75 W
E	H170024	Housing BL Xpert Compact AOP UV-C
F	B915000	Set (2pcs) 3-way connection blue 63 mm
F	E800944	Set (2pcs) 3-way connection USA / UK 60½ mm
G	E800941	Set (3pcs) O-rings 3-way connection
H	F990115	Reduction piece 1,5" female threaded x 63mm out/ 50mm in ABS
I	B290006	Mounting bracket 75 mm PP Blue
J	F990103	End cap with air plug for BL Xpert AOP Compact Ozone & UV-C 75 W V2
K	B290010	Nut 70 mm x 33.5 mm ABS Blue
L	3902158	O-ring NBR 57 mm x 2.5 mm
N	3902269	Sealing set BL Xpert Compact AOP UV-C
P	4800068	Venturi unit BL Xpert Compact AOP UV-C (excl. manometer)
Q	4800057	Manometer BL Xpert Compact AOP UV-C
R	4800145	Ozone Viton Check valve + hose (Short 16 cm + 72 cm)
S	4800020	PU hose black for Ozone
T	F990196BU	Closing lid black
V	3901013	Open Glass adapter T-piece ABS Black

* For pre 2021 model, please see our website

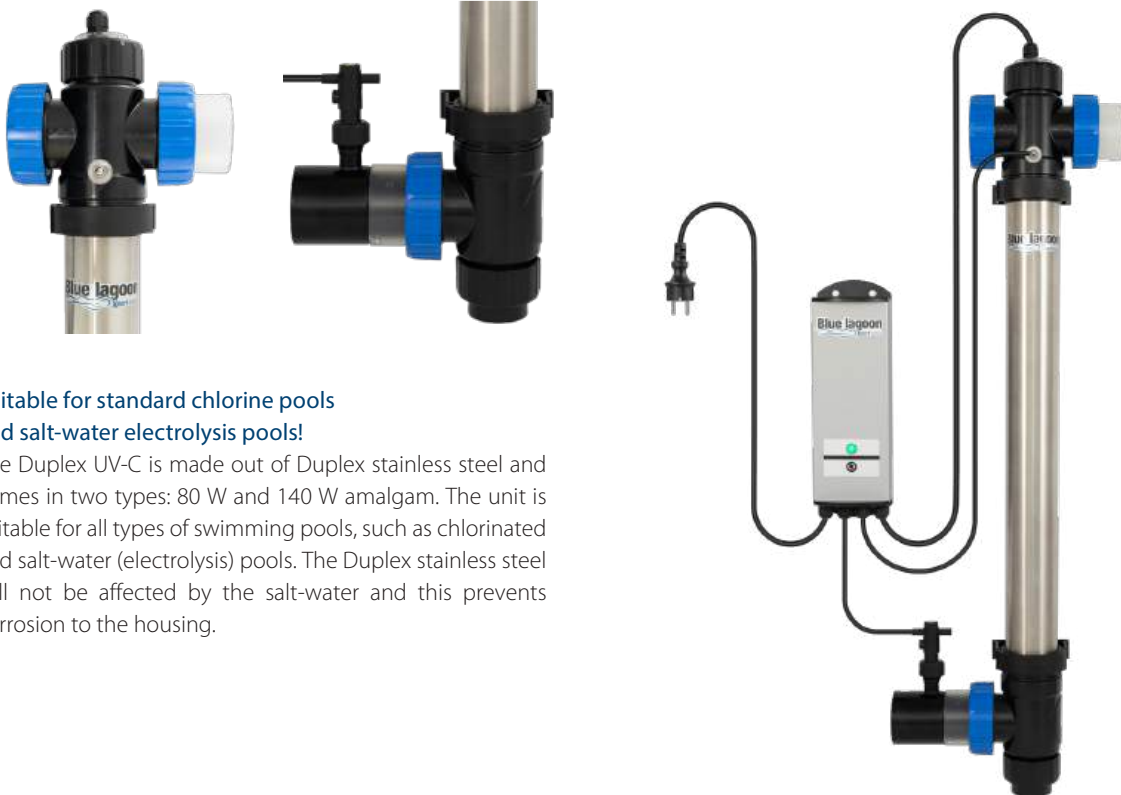
Optional sets

GFH	SP0094	Blue Lagoon Connection Kit
GFH	SP0097	Blue Lagoon Connection Kit UK-USA



Duplex

Blue Lagoon Xpert Duplex UV-C



Suitable for standard chlorine pools and salt-water electrolysis pools!

The Duplex UV-C is made out of Duplex stainless steel and comes in two types: 80 W and 140 W amalgam. The unit is suitable for all types of swimming pools, such as chlorinated and salt-water (electrolysis) pools. The Duplex stainless steel will not be affected by the salt-water and this prevents corrosion to the housing.

Advantages of the Blue Lagoon Xpert Duplex UV -C

- Salt-water suitable
- multiple installation options for easy installation
- Equipped with a flow switch to turn of the lamp at insufficient water flow (not included with 80 W)
- Visual lamp indicator in top of unit
- Made in the Netherlands

Blue Lagoon Xpert Duplex UV-C Technical



	80 W	140 W Amalgam
Art. number	BP08752	BP08132
Type	80 W	140 W
EAN	8714404046329	8714404980920
Rec. flow for 30 mJ/cm ²	17 m ³ /h	23 m ³ /h
Max. pressure	2,5 bar	2,5 bar
Max. flow	23 m ³ /h	23 m ³ /h
Diameter unit Ø	70 mm	70 mm
Length unit	100 cm	100 cm
Diameter in-outlet Ø	63 mm / 50 mm / 1½"	63 mm / 50 mm / 1½"
Housing material	DUPLEX	DUPLEX
Electronic ballast	230 V AC 50 Hz	230 V AC 50 Hz
Lamp power	80 W	140 W
Lamp	VGE LightTech T6 80 W 4P	VGE LightTech T6 140 W Amalgam 4P
Lifespan lamp	9.000 hours	16.000 hours
Indicator	√	√
Replace lamp alert	√	√
Flow switch	-	√
Quantity full pallet	33 pcs	33 pcs



Spare parts

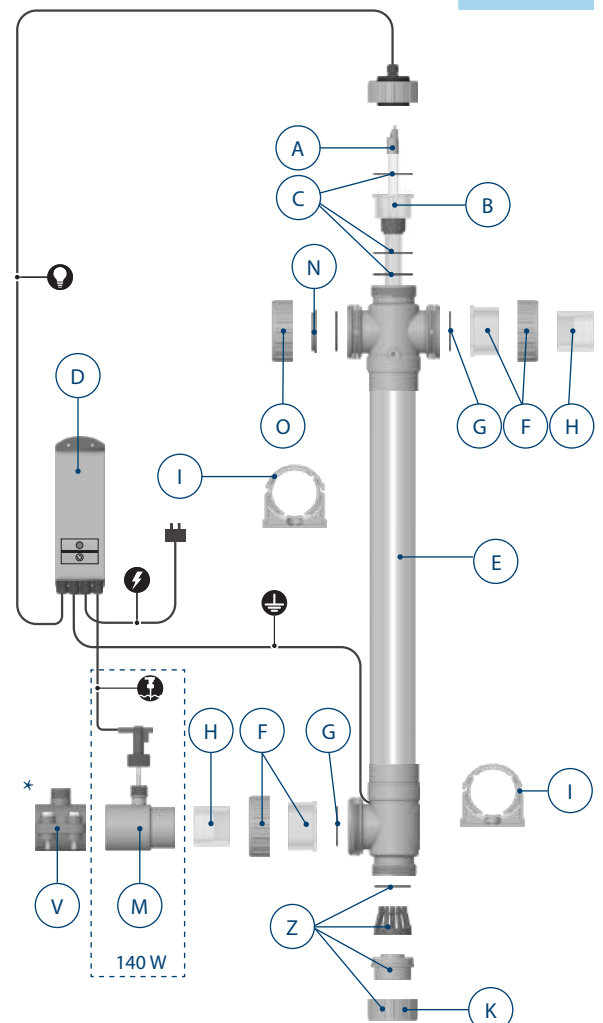
A	F980010AM	Lamp VGE T5 80W 4P Base X AM Packed
	F980020AM	Lamp VGE T6 140 W Amalgam 4P Base X
B	QG015	Quartz Glass VSC 933 x 25 mm 40/75/80 W AM
	QG012	Quartz Glass VSC 920 x 30 mm 130 / 140 W AM
C	E800912	Set (3pcs) O-ring for quartz glass
D	EP080008	Electrics for Blue Lagoon Xpert Duplex UV-C 80 W
	EP130021	Electrics for Blue Lagoon Xpert Duplex UV-C 140 W incl. flow switch
E	H170004	Housing Blue Lagoon Xpert UV-C duplex 80 W / 140 W
F	B915000	Set (2pcs) 3-way connection blue 63 mm
	E800944	Set (2pcs) 3-way connection USA / UK 60½ mm
G	E800941	Set (3pcs) O-rings 3-way connection
H	F990115	Reduction piece 1.5" female threaded x 63 mm out/ 50 mm in ABS
I	E801107	Mounting bracket 75 mm PP black
K	B290010	Nut 70 mm x 33.5 mm for end cap ABS Blue
	B290020	Reduction piece 63/63 3/4" male thread for flow switch
M	B290021	Reduction piece 60.3/60.3 3/4" USA/UK male thread for flow switch
N	F990196BU	Closing lid black
O	B290009	Nut 83.5 mm x 32 mm ABS Blue
Z	SP 0095	Blue Lagoon Quartz Glass Stabilizer Replacement Kit

* Optional part

SP0070	Tapping saddle 50 x 3/4" male thread for flow switch
V	SP0071 Tapping saddle 63 x 3/4" male thread for flow switch
SP0072	Tapping saddle 75 x 3/4" male thread for flow switch

Optional sets

GFH	SP0094	Blue Lagoon Connection Kit
GFH	SP0097	Blue Lagoon Connection Kit UK-USA



Blue Lagoon Series



Inox



Signal



Timer 4ALL



Tech 4ALL



Tech



Copper Ionizer



Xpose



Blue Lagoon Inox UV-C



Operation

Thanks to the Blue Lagoon Inox UV-C, your swimming pool water will be disinfected efficiently and safely and the quality of your water will remain excellent. The UV-C radiation inactivates bacteria, viruses and other microorganisms and stops them from multiplying. This device is able to reduce chlorine concentration up to 50%!

Advantages of the Blue Lagoon Inox UV-C

- Up to 35% more UV-C yield as a result of reflection by the stainless steel reactor
- Philips UV-C lamp
- A flow switch will turn off the lamp at insufficient water flow
- Integrated adjustable timer for the UV-C lamp
- Digital indication when the lamp needs replacing
- Complete 316L stainless steel housing
- Easy installation and maintenance
- Made in the Netherlands

Blue Lagoon INOX UV-C Technical

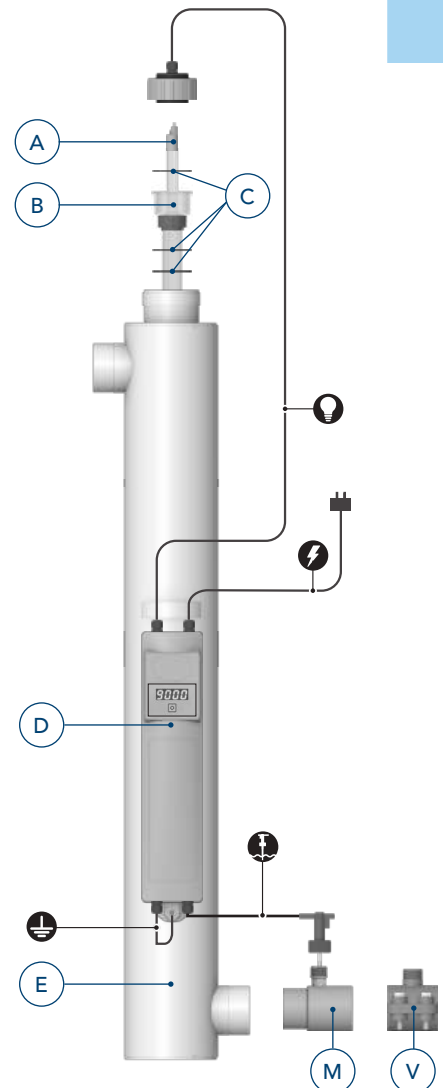


	75 W	130 W Amalgam
Art. number	BP02752	BP02132
Type	75 W	130 W
EAN	8714404038669	8714404038676
Rec. flow for 30 mJ/cm ²	18 m ³ /h	22 m ³ /h
Max. pressure	5 bar	5 bar
Max. flow	23 m ³ /h	23 m ³ /h
Diameter unit Ø	114 mm	114 mm
Length unit	100 cm	100 cm
Diameter in-outlet Ø	2" Male thr.	2" Male thr.
Housing material	316 L	316 L
Electronic ballast	230 V AC 50 Hz	230 V AC 50 Hz
Lamp power	75 W	130 W
Lamp	Philips TUV 36T5 HO 4P-SE (75 W)	Philips TUV 130 W 4P-SE Amalgam
Lifespan lamp	9.000 hours	12.000 hours
Timer	√	√
Flow switch	√	√
Replace lamp alert	√	√
Weight	7,2 Kg	7,3 Kg
Quantity full pallet	27 pcs	27 pcs



Spare parts

A	E800902PAM	Lamp Philips TUV 36T5 75W HO 4P-SE Base C AM Packed
	E800904AM	Lamp Philips TUV XPT 130W 4P-SE Amalgam Base E AM Packed
B	QG015	Quartz Glass VSC 933 x 25 mm 40/75/80 W AM
	QG012	Quartz Glass VSC 920 x 30 mm 130 / 140 W AM
C	E800912	Set (3pcs) O-ring for quartz glass
D	EP075010.1	Electrics for BL UV-C INOX 75 W incl. flow switch
	EP130007	Electrics for BL UV-C INOX 130 W Amalgam incl. flow switch
E	B212002	Housing for Blue Lagoon Inox UV-C
M	B290020	Reduction piece 63/63 mm 3/4" male threaded for flow switch
	B290021	Reduction piece 60.3/60.3 mm 3/4" USA/UK male threaded for flow switch
* Optional part		
V	SP0070	Tapping saddle 50 x 3/4" male thread for flow switch
	SP0071	Tapping saddle 63 x 3/4" male thread for flow switch
	SP0072	Tapping saddle 75 x 3/4" male thread for flow switch





Blue Lagoon Signal UV-C



Operation

The Blue Lagoon Signal UV-C contains an integrated timer that accurately monitors and visualises the hours by changing colour! A warning will be given by a blinking LED when the lamp needs to be replaced. Thanks to the Blue Lagoon Signal UV-C your swimming pool water will be disinfected efficiently, safely and the quality of your water will remain excellent.

Amalgam lamp

The amalgam version includes a flow switch that will turn off the lamp when the flow is too low. The UV-C amalgam lamp is less affected by temperature fluctuations in the water and generates a constant, powerful radiation.

Advantages of the Blue Lagoon Signal UV-C

- LED-function to visualise the remaining lifetime of the lamp
- 316L stainless steel housing
- Up to 35% more UV-C yield as a result of reflection by the 316L housing
- Easy to install and easy to maintain
- Comes with Ø63mm to Ø50mm fittings, 1½" female threaded
- Made in the Netherlands

Blue Lagoon Signal UV-C Technical



	40 W	75 W	130 W Amalgam
Art. number	BH11402	BH11752	BH1132
Type	40 W	75 W	130 W
EAN	8714404045193	8714404045261	8714404045124
Rec. flow for 30 mJ/cm ²	11 m ³ /h	16 m ³ /h	22 m ³ /h
Max. pressure	2 bar	2 bar	2 bar
Max. flow	23 m ³ /h	23 m ³ /h	23 m ³ /h
Diameter unit Ø	70 mm	70 mm	70 mm
Length unit	100 cm	100 cm	100 cm
Diameter in-outlet Ø	63 mm / 50 mm / 1½"	63 mm / 50 mm / 1½"	63 mm / 50 mm / 1½"
Housing material	316L	316L	316L
Electronic ballast	230 V AC 50 Hz	230 V AC 50 Hz	230 V AC 50 Hz
Lamp power	40 W	75 W	130 W
Lamp	VGE T5 40 W 4P	VGE T5 75 W 4P	LightTech T6 130 W Amalgam 4P
Lifespan lamp	9.000 hours	9.000 hours	16.000 hours
Indicator	√	√	√
Replace lamp alert	√	√	√
Flow switch	-	-	√
Weight	4,1 Kg	4,3 Kg	4,5 Kg
Quantity full pallet	33 pcs	33 pcs	33 pcs



Spare parts

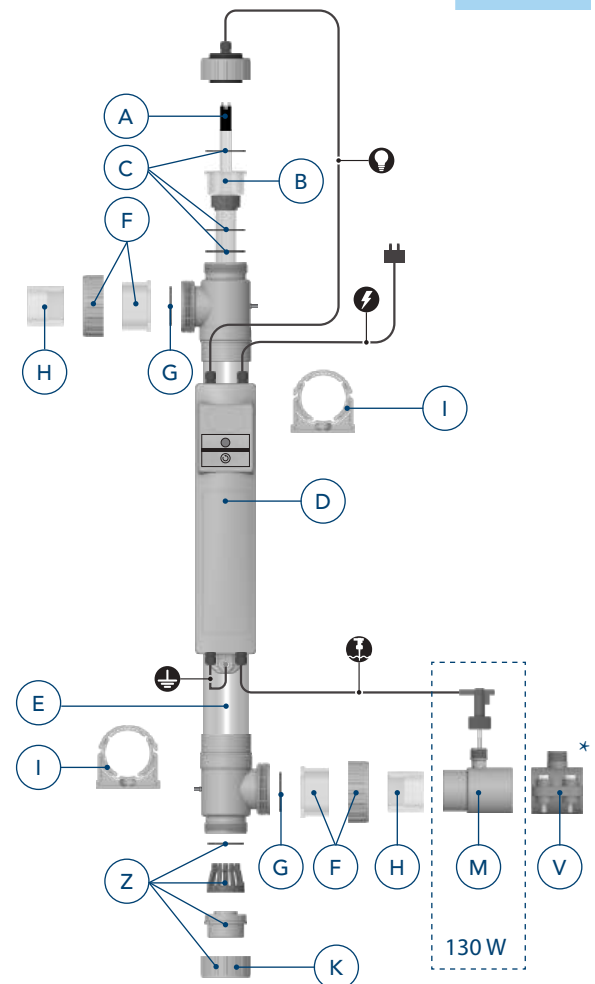
A	F980002AM	Lamp VGE T5 40W 4P Base F AM Packed
	F980004AM	Lamp VGE T5 75W 4P Base F AM Packed
	F980008AM	Lamp VGE T6 130W Amalgam 4P Base M AM Packed
B	QG015	Quartz Glass VSC 933 x 25 mm 40/75/80 W AM
	QG012	Quartz Glass VSC 920 x 30 mm 130 / 140 W AM
C	E800912	Set (3pcs) O-ring for quartz glass
D	EP040035	Electrics for BL UV-C Signal 40 W
	EP075039	Electrics for BL UV-C Signal 75 W
	EP130014	Electrics for BL UV-C Signal 130W
E	B212003	Housing Blue Lagoon Timer/Signal UV-C 40/75 W
	B910003	Housing Blue Lagoon Timer/Signal UV-C 130 W
F	B915000	Set (2pcs) 3-way connection blue 63 mm
	E800944	Set (2pcs) 3-way connection USA / UK 60½ mm
G	E800941	Set (3pcs) O-rings 3-way connection
H	F990115	Reduction piece 1.5" female threaded x 63 mm out/ 50 mm in ABS
I	B290006	Mounting bracket 75 mm PP Blue
K	B290010	Nut 70 mm x 33.5 mm for end cap ABS Blue
M	B290020	Reduction piece 63/63 mm 3/4" male threaded for flow switch
	B290021	Reduction piece 60.3/60.3 mm 3/4" male threaded for flow switch
Z	SP0095	Quartz Glass Stabilizer Replacement Kit

* Optional part

SP0070	Tapping saddle 50 x 3/4" male thread for flow switch
V	SP0071 Tapping saddle 63 x 3/4" male thread for flow switch
SP0072	Tapping saddle 75 x 3/4" male thread for flow switch

Optional sets

GFH	SP0094	Blue Lagoon Connection Kit
GFH	SP0097	Blue Lagoon Connection Kit UK-USA





Timer 4ALL

Blue Lagoon Timer UV-C 4ALL



Operation

The Blue Lagoon Timer UV-C 4ALL with DUPLEX stainless steel housing is suitable for both chlorinated and salt-water (electrolysis) pools, hence the addition 4ALL. Next to the highly corrosion resistant DUPLEX stainless steel housing, the Blue Lagoon Timer UV-C 4ALL contains an integrated timer that accurately monitors the number of operating hours. You can therefore see exactly when the lamp must be replaced.

Amalgam lamp

The amalgam version includes a flow switch that will turn off the lamp when the flow is too low.

The UV-C amalgam lamp is less affected by temperature fluctuations in the water and generates a constant, powerful radiation and the most effective type of emitter available and the most powerful UV-C radiation on the UV-C market.

Advantages of the Blue Lagoon Timer UV-C 4ALL

- DUPLEX housing, suitable for all pools
- Timer function indicating the remaining lifetime of the lamp;
- A built-in electronic ballast to ensure a smooth power supply;
- Up to 35% more UV-C yield as a result of reflection by the DUPLEX housing;
- Multiple installation options for easy installation;
- Comes with Ø63mm to Ø50mm fittings, and 1½" female threaded inserts
- Made in the Netherlands

Blue Lagoon Timer UV-C 4ALL Technical



	40 W	75 W	130 W Amalgam
Art. number	BD01402	BD01752	BD01132
Type	40 W	75 W	130 W
EAN	8714404040501	8714404040570	8714404040648
Rec. flow for 30 mJ/cm ²	11 m ³ /h	16 m ³ /h	22 m ³ /h
Max. pressure	2 bar	2 bar	2 bar
Max. flow	23 m ³ /h	23 m ³ /h	23 m ³ /h
Diameter unit Ø	70 mm	70 mm	70 mm
Length unit	100 cm	100 cm	100 cm
Diameter in-outlet Ø	63 mm / 50 mm / 1½"	63 mm / 50 mm / 1½"	63 mm / 50 mm / 1½"
Housing material	DUPLEX	DUPLEX	DUPLEX
Electronic ballast	230 V AC 50 Hz	230 V AC 50 Hz	230 V AC 50 Hz
Lamp power	40 W	75 W	130 W
Lamp	Lighttech T5 40W 4P	Lighttech T5 75W 4P	VGE Lighttech T6 130W Amalgam 4P
Lifespan lamp	9.000 hours	9.000 hours	12.000 hours
Timer	√	√	√
Replace lamp alert	√	√	√
Flow switch	-	-	√
Weight	4,1 Kg	4,3 Kg	4,5 Kg
Quantity full pallet	33 pcs	33 pcs	33 pcs



Spare parts

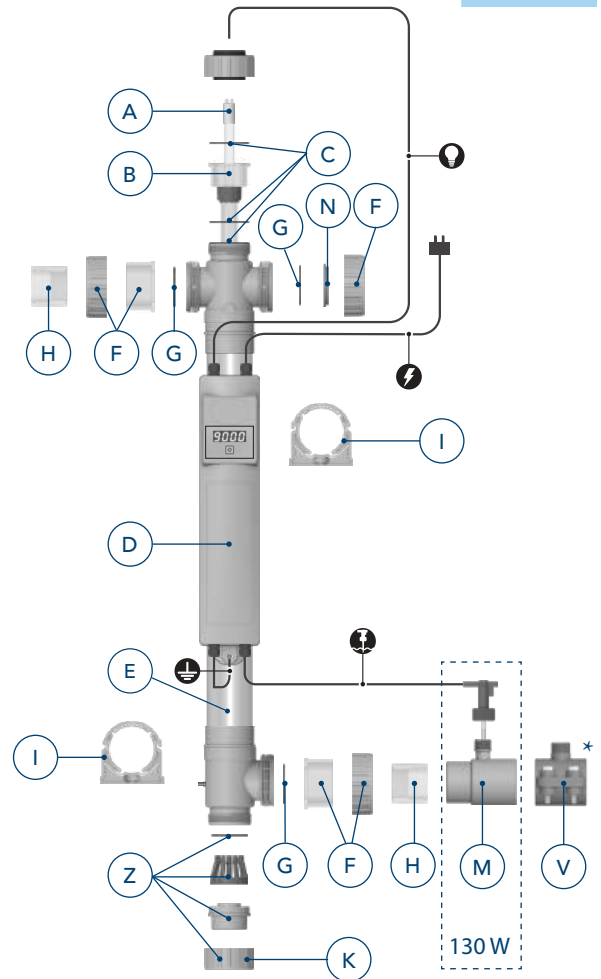
A	E800901LAM	Lamp Lighttech T5 40W 4P-SE Base C AM Packed
	E800902LAM	Lamp Lighttech T5 75W 4P-SE Base C AM Packed
	F980005AM	Lamp VGE Lighttech T6 130W Amalgaam 4P Base E AM Packed
B	QG015	Quartz Glass VSC 933 x 25 mm 40/75/80 W AM
	QG012	Quartz Glass VSC 920 x 30 mm 130/140 W AM
C	E800912	Set (3pcs) O-ring for quartz glass
D	EP040004	Electrics for BL Timer UV-C 4ALL 40 W
	EP075006	Electrics for BL Timer UV-C 4ALL 75 W
	EP130006	Electrics for BL Timer UV-C 4ALL 130 W Amalgam
E	H170054	Housing Blue Lagoon Timer UV-C Duplex / 4ALL 40/75/130W
F	B915000	Set (2pcs) 3-way connection blue 63 mm
	E800944	Set (2pcs) 3-way connection USA / UK 60½ mm
G	E800941	Set (3pcs) O-rings 3-way connection
H	F990115	Reduction piece 1.5" female threaded x 63 mm out/ 50 mm in ABS
I	B290006	Mounting bracket 75 mm PP Blue
K	B290010	Nut 70 mm x 33.5 mm for end cap ABS Blue
M	B290020	Reduction piece 63/63 mm 3/4" male threaded for flow switch
	B290021	Reduction piece 60.3/60.3 mm 3/4" USA/UK male threaded for flow switch
N	F990196BU	Closing lid black
Z	SP0095	Quartz Glass Stabilizer Replacement Kit

* Optional part

SP0070	Tapping saddle 50 x 3/4" male thread for flow switch
V	SP0071 Tapping saddle 63 x 3/4" male thread for flow switch
SP0072	Tapping saddle 75 x 3/4" male thread for flow switch

Optional sets

GFH	SP0094	Blue Lagoon Connection Kit
GFH	SP0097	Blue Lagoon Connection Kit UK-USA





Tech 4ALL

Blue Lagoon Tech UV-C 4ALL



Perfect 4ALL installations where space is limited.

Introducing the Blue Lagoon Tech UV-C 4ALL: the perfect solution for both, salt-water (electrolysis) pools and chlorinated pools with limited space that require high disinfection efficiency. Compact and powerful, next to the highly corrosion resistant DUPLEX stainless steel housing, the Blue Lagoon Tech UV-C 4ALL is designed to provide an environmentally-friendly solution for your swimming pool water disinfection needs.

Easy to install and maintain

Besides the fact that the Blue Lagoon Tech UV-C 4 ALL is very efficient and powerful, it is easy to install in multiple ways and easy to maintain.

The housing is made of DUPLEX stainless steel and comes with Ø63mm to Ø50mm fittings and 1½" female threaded inserts.

Advantages of the Blue Lagoon Tech UV-C 4ALL

- DUPLEX housing, suitable for all pools
- A built-in electronic ballast to ensure a smooth power supply;
- Up to 35% more UV-C yield as a result of reflection by the DUPLEX housing;
- Multiple installation options for easy installation;
- Comes with Ø63mm to Ø50mm fittings, and 1½" female threaded inserts
- Made in the Netherlands

Blue Lagoon Tech UV-C 4ALL Technical



	40 W	75 W	130 W Amalgam
Art. number	BD02402	BD02752	BD02132
Type	40 W	75 W	130 W
EAN	8714404040297	8714404040433	8714404040365
Rec. flow for 30 mJ/cm ²	11 m ³ /h	16 m ³ /h	22 m ³ /h
Max. pressure	2,5 bar	2,5 bar	2,5 bar
Max. flow	23 m ³ /h	23 m ³ /h	23 m ³ /h
Diameter unit Ø	70 mm	70 mm	70 mm
Length unit	100 cm	100 cm	100 cm
Diameter in-outlet Ø	63 mm / 50 mm / 1½"	63 mm / 50 mm / 1½"	63 mm / 50 mm / 1½"
Housing material	DUPLEX	DUPLEX	DUPLEX
Electronic ballast	230 V AC 50 Hz	230 V AC 50 Hz	230 V AC 50 Hz
Lamp power	40 W	75 W	130 W
Lamp	Lamp VGE T5 40 W 4P	Lamp VGE T5 75 W HO 4P	VGE T6 130W Amalgam 4P
Lifespan lamp	9.000 hours	9.000 hours	12.000 hours
Flow switch	-	-	√
ETL certified	-	-	-
Weight	3,6 Kg	3,9 Kg	5,0 Kg
Quantity full pallet	45 pcs	45 pcs	45 pcs



Spare parts

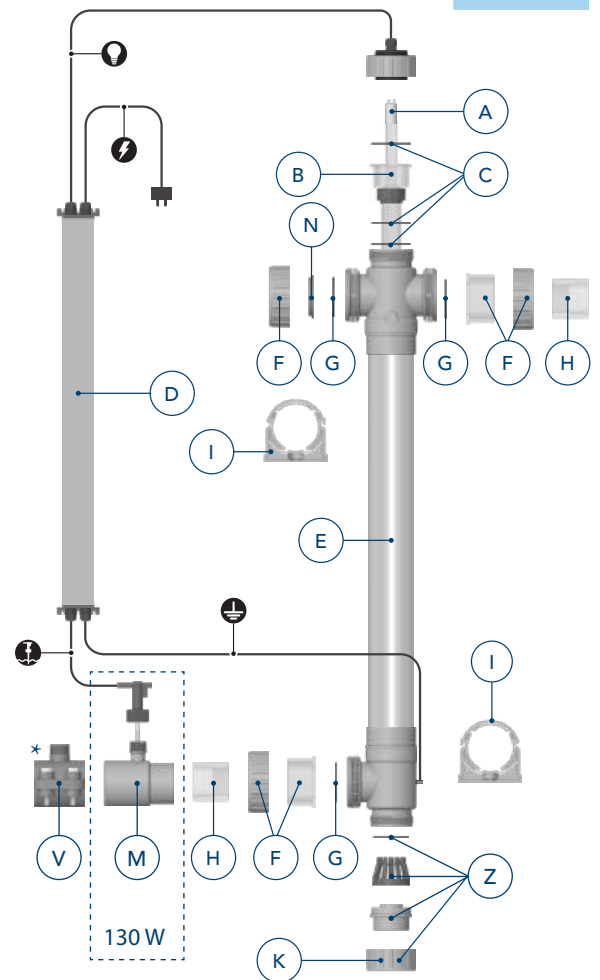
A	F980172AM	Lamp VGE T5 40 W 4P Base M AM Packed
	F980173AM	Lamp VGE T5 75 W HO 4P Base M AM Packed
	F980008AM	Lamp VGE T6 130W Amalgam 4P Base M AM Packed
B	QG015	Quartz Glass VSC 933 x 25 mm 40/75/80 W AM
	QG012	Quartz Glass VSC 920 x 30 mm 130/140 W AM
C	E800912	Set (3pcs) O-ring for quartz glass
D	EP040056	Electrics for BL Tech UV-C 4ALL 40W
	EP075080	Electrics for BL Tech UV-C 4ALL 75W
	EP130030	Electrics for BL Tech UV-C 4ALL 130W
E	H170053	Housing Blue Lagoon Tech UV-C Duplex / 4ALL 40/75/130W
F	B915000	Set (2pcs) 3-way connection blue 63 mm
	E800944	Set (2pcs) 3-way connection USA / UK 60½ mm
G	E800941	Set (3pcs) O-rings 3-way connection
H	F990115	Reduction piece 1,5" female threaded x 63mm out/ 50mm in ABS
I	B290006	Mounting bracket 75 mm PP Blue
K	B290010	Nut for end cap Blue Lagoon Tech UV-C
M	B290020	Reduction piece 63/63 mm 3/4" male threaded for flow switch
	B290021	Reduction piece 60.3/60.3 mm USA / UK 3/4" male threaded for flow switch
N	F990196BU	Closing lid black
Z	SP0095	Quartz Glass Stabilizer Replacement Kit

* Optional part

V	SP0070	Tapping saddle 50 x 3/4" male thread for flow switch
	SP0071	Tapping saddle 63 x 3/4" male thread for flow switch
	SP0072	Tapping saddle 75 x 3/4" male thread for flow switch

Optional sets

GFH	SP0094	Blue Lagoon Connection Kit
GFH	SP0097	Blue Lagoon Connection Kit UK-USA





Blue Lagoon Tech UV-C



Perfect for installations where space is limited

Introducing the Blue Lagoon Tech UV-C: the perfect solution for limited spaces that require high disinfection efficiency. Compact and powerful, the Tech UV-C is designed to provide an environmentally-friendly solution for your swimming pool water disinfection needs.

Easy to install and maintain

Besides the fact that the Blue Lagoon Tech UV-C device is very efficient and powerful, it is also easy to install and maintain. The housing is made of 316L stainless steel and comes with Ø63mm to Ø50mm fittings and 1½" female threaded connections.

Advantages of the Blue Lagoon Tech UV-C

- A built-in electronic ballast to ensure an efficient and stable power supply
- 316L stainless steel housing
- Up to 35% more UV-C yield as a result of reflection by the stainless steel housing
- Easy to install and easy to maintain
- Including adapters Ø 63mm to Ø 50mm, 1½" female threaded
- Made in the Netherlands

Blue Lagoon Tech UV-C Technical



	16 W	40 W	75 W	130 W Amalgam
Art. number	BE02162	BE02402	BE02752	BE03132
Type	16 W	40 W	75 W	130 W
EAN	8714404034456	8714404034234	8714404034166	8714404029988
Rec. flow for 30 mJ/cm ²	5 m ³ /h	11 m ³ /h	16 m ³ /h	22 m ³ /h
Max. pressure	2,5 bar	2,5 bar	2,5 bar	2,5 bar
Max. flow	23 m ³ /h	23 m ³ /h	23 m ³ /h	23 m ³ /h
Diameter unit Ø	70 mm	70 mm	70 mm	70 mm
Length unit	56 cm	100 cm	100 cm	100 cm
Diameter in-outlet Ø	63 mm / 50 mm / 1½"	63 mm / 50 mm / 1½"	63 mm / 50 mm / 1½"	63 mm / 50 mm / 1½"
Housing material	316L	316L	316L	316L
Electronic ballast	230 V AC 50 Hz	230 V AC 50 Hz	230 V AC 50 Hz	230 V AC 50 Hz
Lamp power	16 W	40 W	75 W	130 W
Lamp	VGE T5 16 W 4P	VGE T5 40 W 4P	VGE T5 75 W 4P	Philips 130 W Amalgam
Lifespan lamp	9.000 hours	9.000 hours	9.000 hours	12.000 hours
Flow switch	-	-	-	√
ETL certified	-	√	√	√
Weight	2,8 Kg	3,6 Kg	3,9 Kg	5,0 Kg
Quantity full pallet	90 pcs	45 pcs	45 pcs	45 pcs



Spare parts

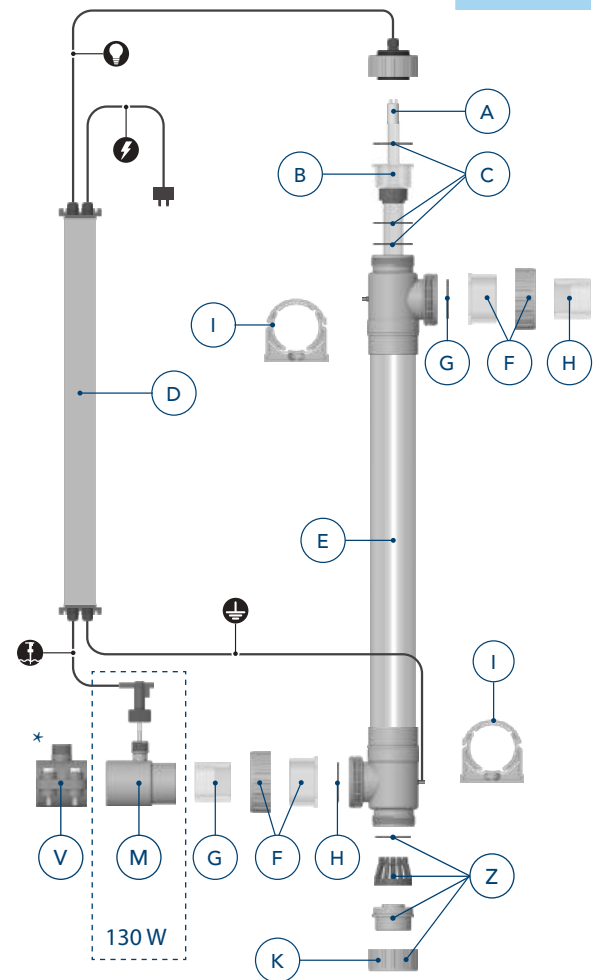
A	F980065AM	Lamp VGE T5 16W 4P Base F AM Packed
	F980002AM	Lamp VGE T5 40W 4P Base F AM Packed
	F980004AM	Lamp VGE T5 75W 4P Base F AM Packed
	E800904AM	Lamp Philips TUV XPT 130W 4P-SE Amalgam Base E AM Packed
B	QG018	Quartz Glass VSC 400 x 25 mm 16/40 W AM
	QG015	Quartz Glass VSC 933 x 25 mm 40/75/80 W AM
	QG012	Quartz Glass VSC 920 x 30 mm 130/140 W AM
C	E800912	Set (3pcs) O-ring for quartz glass
	EP040011	Electrics for BL UV-C Tech 16/40 W
D	EP075014	Electrics for BL UV-C Tech 75 W
	EP130009	Electrics for BL UV-C Amalgam 130 W + flow switch
	B910000	Housing Blue Lagoon Tech UV-C 16 W
E	B910002	Housing Blue Lagoon Tech UV-C 40/75 W
	B910005	Housing Blue Lagoon Tech UV-C 130 W
	B915000	Set (2pcs) 3-way connection blue 63 mm
F	E800944	Set (2pcs) 3-way connection USA / UK 60½ mm
	E800941	Set (3pcs) O-rings 3-way connection
H	F990115	Reduction piece 1,5" female threaded x 63mm out/ 50mm in ABS
	B290006	Mounting bracket 75 mm PP Blue
K	B290010	Nut for end cap Blue Lagoon Tech UV-C
M	B290020	Reduction piece 63/63 mm 3/4" male threaded for flow switch
	B290021	Reduction piece 60.3/60.3 mm 3/4" male threaded for flow switch
Z	SP0095	Quartz Glass Stabilizer Replacement Kit

* Optional part

V	SP0070	Tapping saddle 50 x 3/4" male thread for flow switch
	SP0071	Tapping saddle 63 x 3/4" male thread for flow switch
	SP0072	Tapping saddle 75 x 3/4" male thread for flow switch

Optional sets

GFH	SP0094	Blue Lagoon Connection Kit
GFH	SP0097	Blue Lagoon Connection Kit UK-USA



Copper Ionizer



Blue Lagoon Copper Ionizer UV-C



Operation

This revolutionary combination of UV-C and copper electrolysis means you can have a pool with a minimum use of chlorine!* Electrically charged copper ions (Cu^{2+}) in the water search for particles of opposite polarity, such as bacteria, viruses and fungi. Positively charged copper ions form electrostatic compounds with negatively charged cell walls of microorganisms. These compounds disturb cell wall permeability and cause nutrient uptake to fail. As a result, bacteria are no longer able to multiply and eventually die. The ions remain active until they are absorbed by a microorganism.

**Additional chlorine needed, depends on the frequency of use and general condition of the pool water.*

Pending EU regulations or conditional approval, national regulations apply to the trade and use of copper-containing products. The copper used in these units complies with the REACH registration. It is the sole responsibility of the buyer to inform himself/herself about applicable local regulations regarding the use of (and trade in) copper for water disinfection.

Advantages of the Blue Lagoon Copper Ionizer UV-C

- Up to 35% more UV-C yield as a result of reflection by the stainless steel reactor
- Easy installation and maintenance
- Comes with $\text{Ø}63\text{mm}$ to $\text{Ø}50\text{mm}$ fittings, $1\frac{1}{2}$ " female threaded
- Made in the Netherlands

Blue Lagoon Copper Ionizer UV-C Technical



	40 W	75 W
Art. number	BH04402	BH04752
Type	40 W	75 W
EAN	8714404034241	8714404036689
Rec. flow for 30 mJ/cm ²	11 m ³ /h	16 m ³ /h
Max. pressure	2 bar	2 bar
Max. flow	23 m ³ /h	23 m ³ /h
Diameter unit Ø	70 mm	70 mm
Length unit	100 cm	100 cm
Diameter in-outlet Ø	63 mm / 50 mm / 1½"	63 mm / 50 mm / 1½"
Housing material	316L	316L
Electronic ballast	230 V AC 50 Hz	230 V AC 50 Hz
Lamp power	40 W	75 W
Lamp	Blue Lagoon T5 40 W Ionizer	Blue Lagoon T5 75 W Ionizer
Lifespan lamp	9.000 hours	9.000 hours
Copper ionizer	0,7 ppm	0,7 ppm
Replace lamp alert	√	√
Weight	5,0 Kg	5,2 Kg
Quantity full pallet	33 pcs	33 pcs

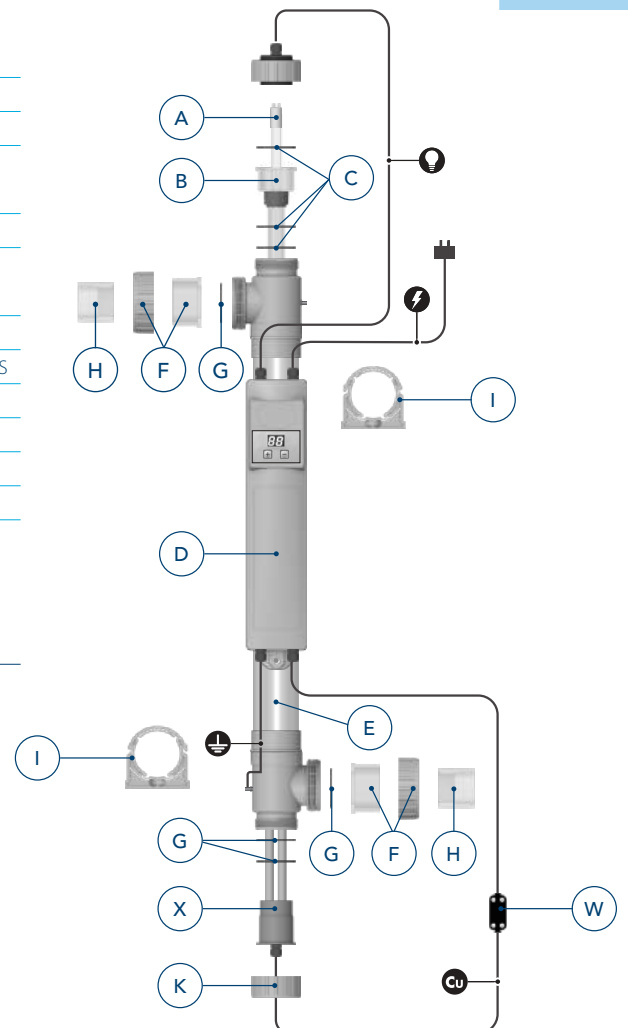


Spare parts

A	B280002AM	Lamp Blue Lagoon T5 40W Ionizer Base K AM Packed
	B280001AM	Lamp Blue Lagoon T5 75W Ionizer Base K AM Packed
B	QG017	Quartz Glass VSC 695 x 25 mm 40/75 W AM
C	E800912	Set (3pcs) O-ring for quartz glass
D	EP040007	Electrics for BL UV-C Ionizer 40 W
	EP075011	Electrics for BL UV-C Ionizer 75 W
E	B220002	Housing Blue Lagoon Ionizer UV-C 40/75 W
F	B915000	Set (2pcs) 3-way connection blue 63 mm
	E800944	Set (2pcs) 3-way connection USA / UK 60½ mm
G	E800941	Set (3pcs) O-rings 3-way connection
H	F990115	Reduction piece 1.5" female threaded x 63 mm out/ 50 mm in ABS
I	B290006	Mounting bracket 75 mm PP Blue
K	E801215	Nut 70 mm x 33.5 mm for end cap ABS Blue
W	B290010	Cable connector
X	B290029	Copper set base + cable connector
Y	B200020	Test strips for Ionizer (50 strips)

Optional sets

GFH	SP0094	Blue Lagoon Connection Kit
GFH	SP0097	Blue Lagoon Connection Kit UK-USA





Xpose

Blue Lagoon Xpose UV-C



The Blue Lagoon Xpose UV-C is a stand-up pool-UV-C especially made for above ground and basic inground pools. A plug and play concept that is powerful, affordable, and easy to install. Now literally all pool owners can enjoy safe and healthy swimming water sustained by our uv-c technology

Advantages of the by Blue Lagoon Xpose UV-C

- Made for above ground and basic inground pools
- Affordable
- Easy to install no wall mount needed
- Padlock prepared
- Compatible with all pool brands
- Automatic airbleed
- 4 ground secure mounting holes
- Made in the Netherlands

Blue Lagoon Xpose UV-C Technical



Xpose 42 W

Art. number	BE09422
Type	42 W
EAN	8714404040693
Rec. flow for 30 mJ/cm ²	14 m ³ /h - 230 L/min
Max. pressure	1 bar - 14.5 psi
Max. flow	15 m ³ /h - 250L/min
Diameter unit Ø	200 mm
Length unit	55 cm
Diameter in-outlet Ø	32 mm / 38 mm flexible tube / 50 mm hard tube
Housing material	High quality copolymer
Electronic ballast	230 V AC 50 Hz
Lamp power	42 W
Lamp	VGE T5 42 W Base Y
Lifespan lamp	9.000 h
Indicator	√
Weight	6,0 Kg
Quantity full pallet	36 pcs



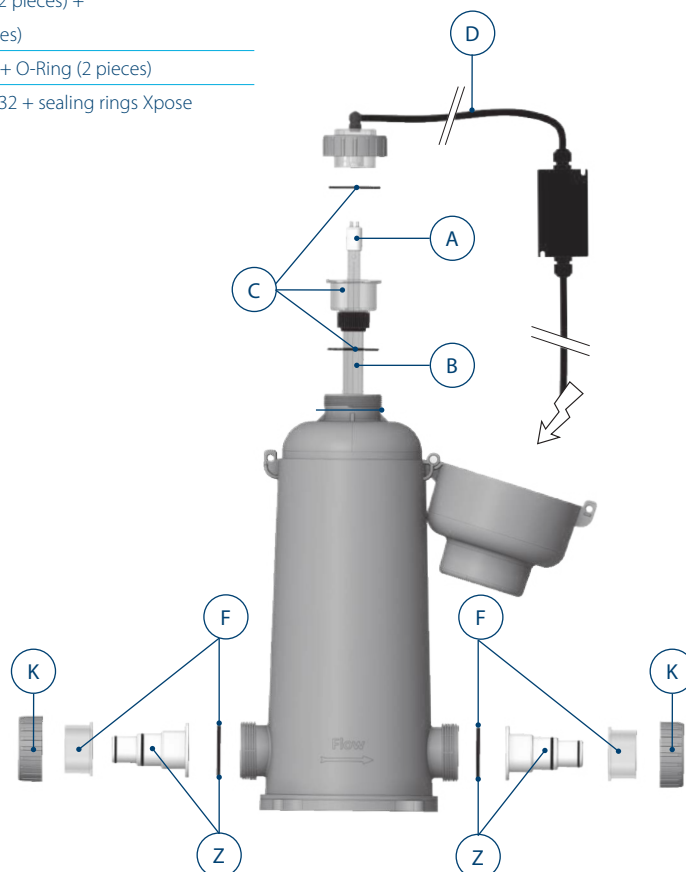
Spare parts

A	3903114AM	Lamp VGE T5 42W Base Y AM Packed
B	QG129	Quartz Glass VSC 478 x 25 mm AM
C	E800912	O-Ring for quartz sleeve (3 pieces)
D	SP0080	Electrics for Blue Lagoon Xpose 42 W
F	SP0078	Reduction piece 63mm out 50mm (2 pieces) + O-Ring for 3-way connection (2 pieces)
K	SP0079	Nut for end cap Blue Lagoon Xpose + O-Ring (2 pieces)
Z	SP0077	2 x hose adaptor flanged 65mm 38/32 + sealing rings Xpose

hose adaptor flanged 38/32



Reduction piece 63mm out 50mm





Blue Lagoon Spa-Series



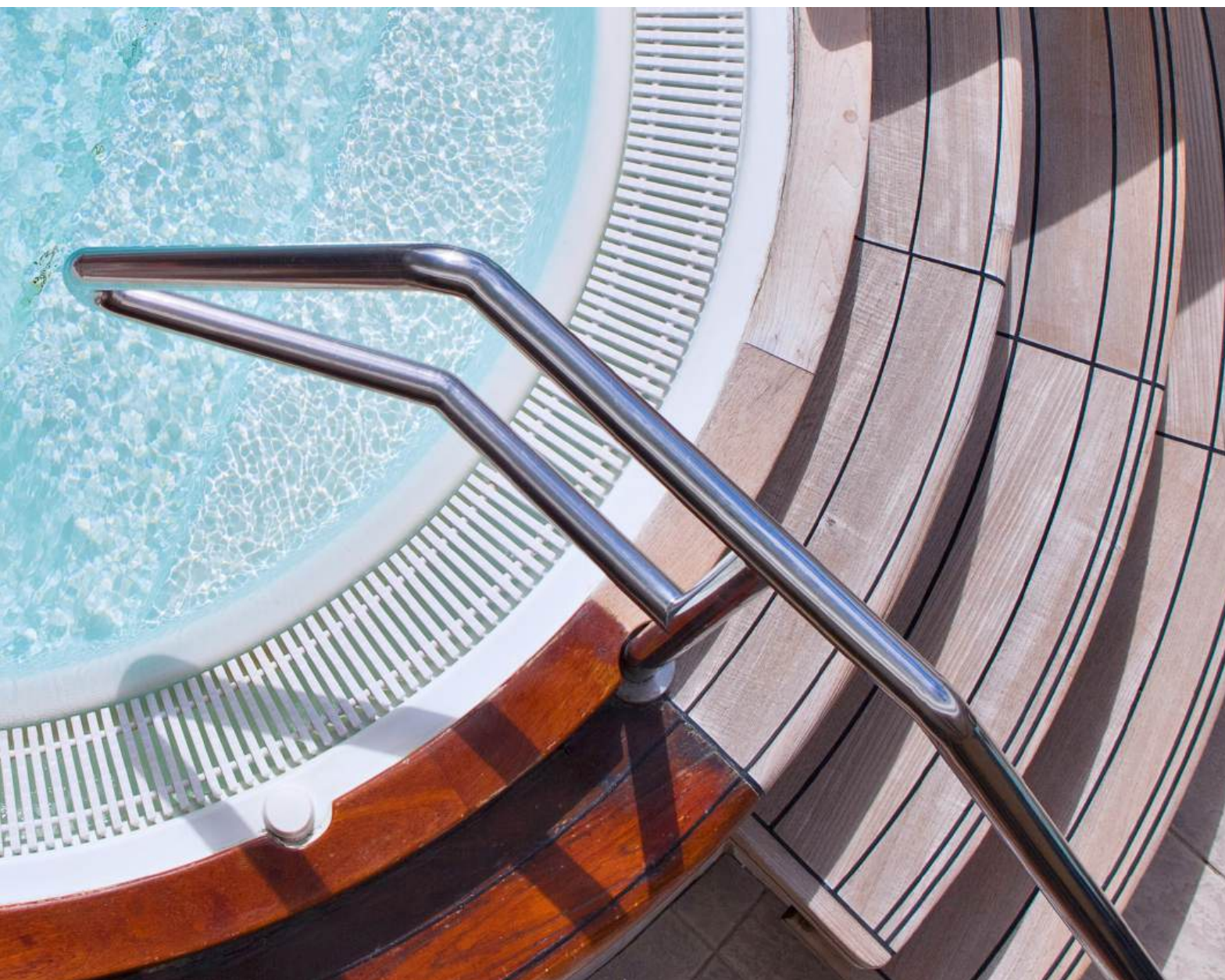
SpAOP



SpAOP-U20



SpAOP-Z20



Spa T5 21W

Spa T5 21W-U20

Spa T5 21W-Z20

Spa PLS 12 W



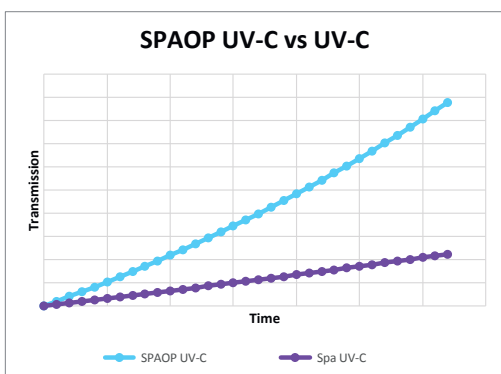
Blue Lagoon SPAOP UV-C

Operation

The SpAOP UV-C uses a special UV lamp that generates radiation of both 254nm and 185nm. UV radiation at the specific wavelength of 185 nanometres is highly energetic and has enough energy to break molecular bonds in water molecules. By doing so free radicals (OH-) will be created in the water through a process known as photodissociation. (H₂O). The newly formed free radicals react with dissolved substances and organic pollutants, leading to the degradation of these substances. This improves the transmission rate which in time benefits the regular UV-C disinfection.

Double function, double performance

The Blue Lagoon SpAOP UV-C's efficiency is based on the units special double-function lamp that produces both direct OH-radicals, that have an even stronger oxidizing power than ozone, and UV-C disinfection, ensuring that the water is disinfected and purified at the same time.



Sustainable & Efficient Performance, Easy Maintenance

The double function lamp has an efficient lamplife up to 9.000 hours with an LED lamp replacement indication integrated in the ballast. In addition to the long lamp life, the Blue Lagoon SpAOP UV-C is easy to install and maintain, making it a Sustainable, free of toxic gas, easy to install and maintain, energy efficient and cost efficient disinfection for Spa and Hot Tub.

Advantages of the Blue Lagoon SPAOP Compact Ozone & UV-C

- Cost-Efficient Solution; the direct UV-C radical generation technology offers a cost-efficient alternative by eliminating the need for ozone generation.
- Oxidation and disinfection combined by OH-radicals and UV-C
- A stand-alone electronic ballast with LED indicator
- The device will indicate when the lamp needs replacing
- Easy installation and maintenance
- Made in the Netherlands



What is AOP by Photodissociation?

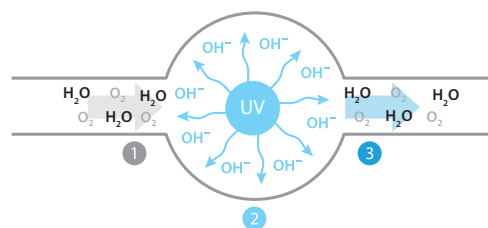
The Advanced Oxidation Process (AOP) by direct formation of free radicals combines the benefits of oxidation and UV-C disinfection into one device. By using the Photodissociation technique, Blue lagoon eliminates the need to dissolve ozone by direct formation of the wanted hydroxyl radicals. The creation of free radicals in water by direct UV radiation at 185 nm can be harnessed for water disinfection, as the reactive hydroxyl radicals can effectively destroy microorganisms, including bacteria, viruses, and protozoa, including Cryptosporidium and Giardia by damaging their DNA or cell membranes. Additionally, the generation of free radicals can also facilitate the breakdown of organic pollutants present in water, making it very useful for Spa treatment processes.

Overall, the direct radiation of water with UV at a wavelength of 185 nm leads to the formation of free radicals, primarily hydroxyl radicals and hydrogen atoms, which are highly reactive and therefore very suitable for water treatment and disinfection.

Complete process AOP by Photodissociation

UV-C Absorption: Water molecules (1) absorb the UV radiation at 185 nm. This absorption is facilitated by the oxygen-hydrogen bonds within the water molecule. **Bond Breakage:** The absorbed UV radiation provides enough energy to break the oxygen-hydrogen (O-H) bonds in the

water molecule, leading to the formation of hydroxyl radicals (2). **Formation of Free Radicals:** The hydroxyl radical (OH•) is highly reactive. Free radicals are highly reactive and unstable,



seeking to stabilize themselves by either gaining or losing electrons. This gives them a high oxidation potential. **Chemical Reactions:** The newly formed free radicals react with dissolved (organic) substances, leading to the degradation of these substances which also improves the transmission rate. Because of the double function of the lamp (creating free radicals and disinfection by UV-C) the improvement of the transmission rate will also benefit the disinfection rate from the water which is disinfected in the same time. The **lifetime of OH-radicals** is extremely short, because of that the entire treatment process takes place within the UV treatment chamber. Treated water (3) is without •OH-radicals

Benefits AOP by Photodissociation :

- **Efficiency:** With direct UV radiation at 185 nanometres, we use the power of photon energy to break down water molecules directly, creating hydroxyl radicals (OH•) leaving contaminants no chance.
- **Precision Targeting:** Our technology precisely targets the oxygen-hydrogen bonds within water molecules, guaranteeing the highest level of contaminant degradation.
- **Maximum Reactivity:** The ultra-high energy of UV radiation at 185 nanometres initiates immediate reactions, swiftly

neutralizing harmful pathogens, organic pollutants, and microorganisms.

- **Cost-Efficient Solution:** Unlike traditional methods direct UV-C radical generation technology offers a cost-efficient alternative. By eliminating the need for ozone generation.
- **Environmental Sustainability:** Our innovative approach minimizes the use of chemicals and eliminates harmful by-products,

NEW!

SPAOP T5 21W

SPAOP



Oxidation and disinfection for healthy water protection

No more odour of toxic Ozone or bound chlorine when getting ready for a Spa session? That is exactly what the Blue lagoon SPAOP UV-C will do for you; Sustainable, free of toxic gas, easy to install and maintain, energy efficient and cost efficient disinfection for Spa and Hot Tub! This UV-C AOP system especially designed for use in Spa's will keep your Spa clear and fresh without the downside of Ozone residue. That is what Blue lagoon AOP by direct hydroxyl formation does to your Spa!

Combining OH-radicals, and UV-C to ensure maximum protection against harmful bacteria and viruses without any risk off harmful chemical residue on your skin or in your spa.

Advantages of the Blue Lagoon SpAOP UV-C T5 21 W

- Cost-Efficient Solution; the direct UV-C radical generation technology offers a cost-efficient alternative by eliminating the need for ozone generation.
- Oxidation and disinfection combined by OH radicals and UV-C
- A stand-alone electronic ballast with LED indicator
- The device will indicate when the lamp needs replacing
- Easy installation and maintenance
- Designed and made in the Netherlands

Blue Lagoon SPAOP T5 21 W Technical



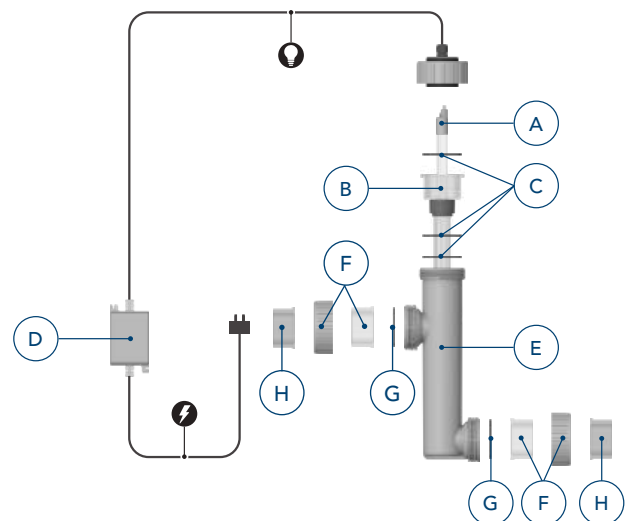
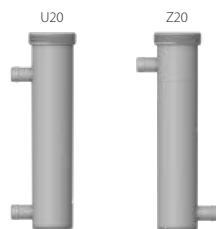
	21 W	21 W U20	W 21 Z20
Art. number	BE01215	BE01217	BE01216
Type	21 W	21 W	21 W
EAN	8714404042468	8714404042604	8714404042536
Rec. flow for 30 mJ/cm ²	3 m ³ /h	2,5 m ³ /h	2,5 m ³ /h
Max. pressure	1 bar	1 bar	1 bar
Max. flow	8 m ³ /h	6 m ³ /h	6 m ³ /h
Diameter unit Ø	58 mm	58 mm	58 mm
Length unit	35 cm	35 cm	35 cm
Diameter in-outlet Ø	50 mm / 1½	20 mm	20 mm
Housing material	PC ASA	PC ASA	PC ASA
Electronic ballast	230 V AC 50 Hz	230 V AC 50 Hz	230 V AC 50 Hz
Lamp power	21 W	21 W	21 W
Lamp	VGE T5 21 W 185nm 4P	VGE T5 21 W 185nm 4P	VGE T5 21 W 185nm 4P
Lifespan lamp	9.000 hours	9.000 hours	9.000 hours
Weight	1,9 Kg	1,9 Kg	1,9 Kg
Quantity full pallet	90 pcs	90 pcs	90 pcs



Spare parts

A	F980130AM	Lamp VGE T5 21W 185Nm 4P Base K packed
B	QG089	Quartz Glass VSC 281 x 25 mm 21 W AM
C	E800912	Set (3pcs) O-ring for quartz glass
D	EP021001	Electrics for BL UV-C Spa 21 W LED indicator
E	B212013	Housing Blue Lagoon Spa UV-C / Copper Electrolyzer
	B212500	Housing Blue Lagoon Spa UV-C U20 21W 230V
F	B212501	Housing Blue Lagoon Spa UV-C Z20 21W 230V
	B212014	Set (2pcs) 3-way connection 50 mm
G	B212015	Set (2pcs) 3-way connection 48 mm
	E801509	O-ring 3-way connection NBR 53x4,5
H	3901045	Nut 70 mm x 33,5 mm ABS Black

GFH SP0096 Blue Lagoon SPA Connection Kit



Spa T5 21W

Blue Lagoon Spa UV-C T5 21 W



This UV-lamp is specially designed for high-temperatures ($\pm 40^{\circ}\text{C}/\pm 104^{\circ}\text{F}$). The Blue Lagoon Spa UV-C T5 21 W has an electronic ballast with a LED indicator or a 0-5 V output signal which makes it easy to integrate and work within every Spa installation and control system.

LED indication

The LED will turn green or red. Green means the lamp is lit, red means the lamp must be replaced as quickly as possible. If the device is switched on, the system will check itself.

Operation

Additionally the Blue Lagoon Spa UV-C 21 W can be fitted with an N-Lok connector making it possible to connect to most Spa control boards. Thanks to the Blue Lagoon Spa UV-C, your spa water will be disinfected efficiently and safely and the quality of your water will remain excellent. The UV-C radiation inactivates bacteria, viruses and other micro-organisms and stops them from multiplying. This can reduce your chlorine concentration up to 50%! Max. pressure: 1 bar. 50mm connections included.

Advantages of the Blue Lagoon Spa UV-C T5 21 W

- Includes a ballast with a LED indicator
- UV-C lamp specially designed for high-temperatures ($\pm 40^{\circ}\text{C} / \pm 104^{\circ}\text{F}$)
- Compact in size
- Easy installation and maintenance
- Made in the Netherlands

Blue Lagoon Spa T5 21 W Technical



	21 W	21 W U20	21 W Z20
Art. number	BE01212	BE01213	BE01214
Type	21 W	21 W	21 W
EAN	8714404045742	8714404040228	8714404042673
Rec. flow for 30 mJ/cm ²	3 m ³ /h	2,5 m ³ /h	2,5 m ³ /h
Max. pressure	1 bar	1 bar	1 bar
Max. flow	8 m ³ /h	6 m ³ /h	6 m ³ /h
Diameter unit Ø	58 mm	58 mm	58 mm
Length unit	35 cm	35 cm	35 cm
Diameter in-outlet Ø	50 mm / 1½	20 mm	20 mm
Housing material	PC ASA	PC ASA	PC ASA
Electronic ballast	230 V AC 50 Hz	230 V AC 50 Hz	230 V AC 50 Hz
Lamp power	21 W	21 W	21 W
Lamp	VGE T5 21 W HO 4P	VGE T5 21 W HO 4P	VGE T5 21 W HO 4P
Lifespan lamp	9.000 hours	9.000 hours	9.000 hours
Weight	1,9 Kg	1,9 Kg	1,9 Kg
Quantity full pallet	90 pcs	90 pcs	90 pcs

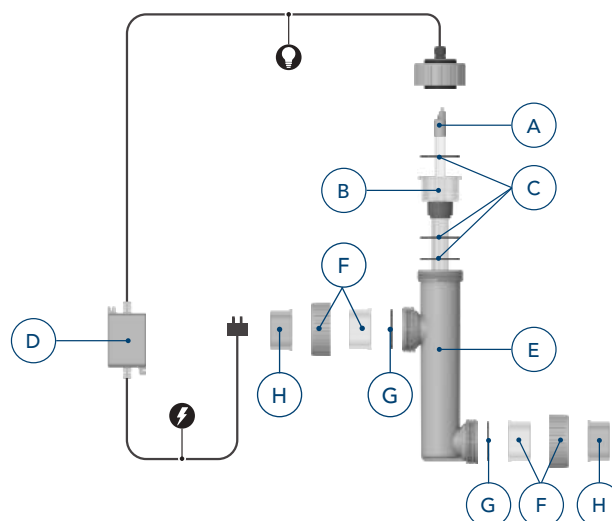
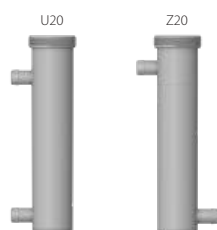


Spare parts

A	F980120AM	Lamp VGE T5 21 W 4P Base G AM Packed
B	QG089	Quartz Glass VSC 281 x 25 mm 21 W AM
C	E800912	Set (3pcs) O-ring for quartz glass
D	EP021001	Electrics for BL UV-C Spa 21 W LED indicator
E	B212013	Housing Blue Lagoon Spa UV-C / Copper Electrolyzer
	B212500	Housing Blue Lagoon Spa UV-C U20 21W 230V
	B212501	Housing Blue Lagoon Spa UV-C Z20 21W 230V
F	B212014	Set (2pcs) 3-way connection 50 mm
	B212015	Set (2pcs) 3-way connection 48 mm
G	E801509	O-ring 3-way connection NBR 53x4,5
H	3901045	Nut 70 mm x 33,5 mm ABS Black

Optional set

GFH	SP0096	Blue Lagoon SPA Connection Kit
-----	--------	--------------------------------



Spa PLS 12 W



Blue Lagoon Spa UV-C PLS 12 W



The Blue Lagoon Spa UV-C PLS 12-15 W is specially designed for water with high-temperatures ($\pm 40^{\circ}\text{C}/\pm 104^{\circ}\text{F}$), such as spas and hot tubs. The Blue Lagoon Spa UV-C PLS 12-15 W is also ideal for filter installations where space is limited and a high disinfection efficiency is required.

Operation

This UV-lamp is specially designed by Philips for high-temperatures ($\pm 40^{\circ}\text{C}/\pm 104^{\circ}\text{F}$). The Blue Lagoon Spa UV-C PLS 12-15 W has a built-in electronic ballast to ensure an efficient and stable power supply. Thanks to the Blue Lagoon Spa UV-C PLS 12-15 W, your spa water will be disinfected efficiently and safely and the quality of your water will remain excellent. The UV-C radiation inactivates bacteria, viruses and other microorganisms and stops them from multiplying.

This can reduce your chlorine concentration up to 50%!
Max. pressure: 1 bar. 50mm connections included.

Advantages of the Blue Lagoon Spa UV-C PLS 12 - 15 W

- Includes a special Philips UV-C lamp with integrated electronic ballast
- UV-C lamp specially designed for high-temperatures ($\pm 40^{\circ}\text{C} / \pm 104^{\circ}\text{F}$)
- Compact in size
- Easy installation and maintenance
- Made in the Netherlands

Blue Lagoon Spa UV-C PLS 12 W Technical



	12 W
Art. number	BE01122
Type	12 W
EAN	8714404038966
Rec. flow for 30 mJ/cm ²	3 m ³ /h
Max. pressure	1 bar
Max. flow	13 m ³ /h
Diameter unit Ø	59 mm
Length unit	40,5 cm
Diameter in-outlet Ø	50 mm
Housing material	PC ASA
Electronic ballast	230 V AC 50 Hz
Lamp power	12 W
Lamp	Philips PLS module 12 W
Lifespan lamp	9.000 hours
Replace lamp alert	√
Weight	1,6 Kg
Quantity full pallet	90 pcs

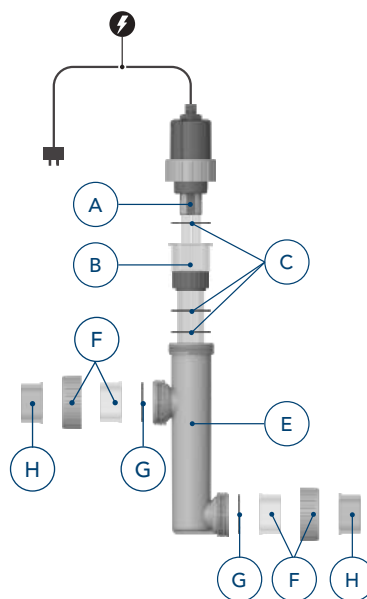


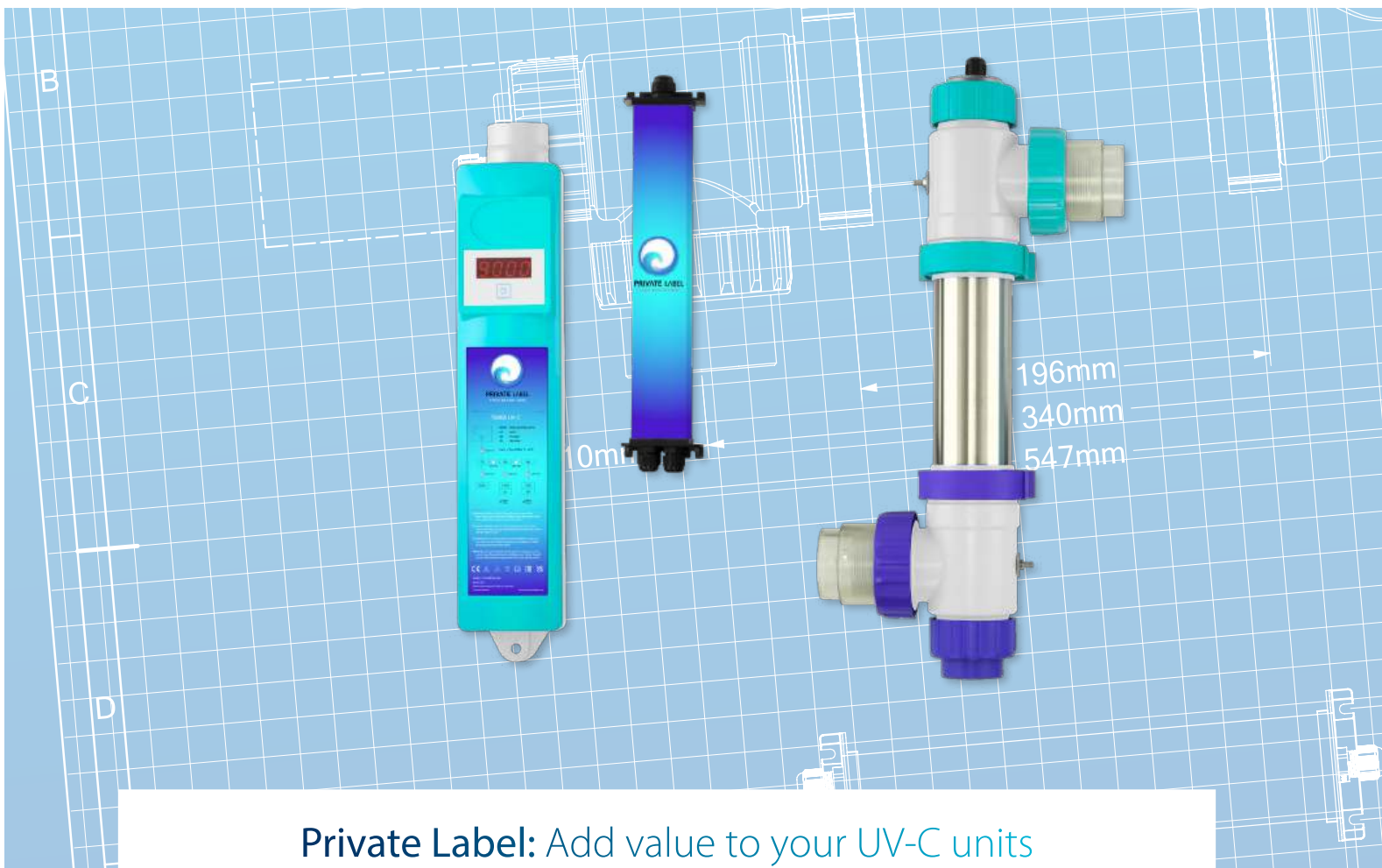
Spare parts

A	B212012	Lamp Philips Replacement module 12 W 230 V Base J
B	QG026	Quartz Glass VSC 277 x 40 mm 11/12/15 W AM
C	E800912	Set (3pcs) O-ring for quartz glass
D	E801205	Cable for Blue Lagoon Spa UV-C PL-S
E	B212013	Housing Blue Lagoon Spa UV-C / Copper Electrolyzer
F	B212014	Set (2pcs) 3-way connection 50 mm
F	B212015	Set (2pcs) 3-way connection 48 mm
G	E801509	O-ring 3-way connection NBR 53x4,5
H	3901045	Nut 70 mm x 33.5 mm ABS black

Optional set

GFH	SP0096	Blue Lagoon SPA Connection Kit
------------	--------	--------------------------------





Private Label: Add value to your UV-C units



THE POWER OF PRIVATE LABEL

Unlock your brand's potential with Private Label Solutions! Distinguish your business in a crowded market with our premium Private Label services. Tailor high-quality products to your unique vision and enjoy exclusive branding that sets you apart. Our expert team ensures a top-tier product and packaging, while you focus on building customer loyalty. Private Label isn't just about products; it's about building a brand that resonates. Elevate your business today and watch your sales soar. Your success story begins here, with Private Label.



Advantages of our private label program

- Stand out from your competitors with your exclusive brand
- Your brand will be associated with the proven quality of VGE B.V.
- Personalize the commercial appearance of your products
- Gain more flexibility in crafting promotional campaigns for your brand
- Available in low quantities as well (inquire about the possibilities)



Private Label: Add value to your UV-C units

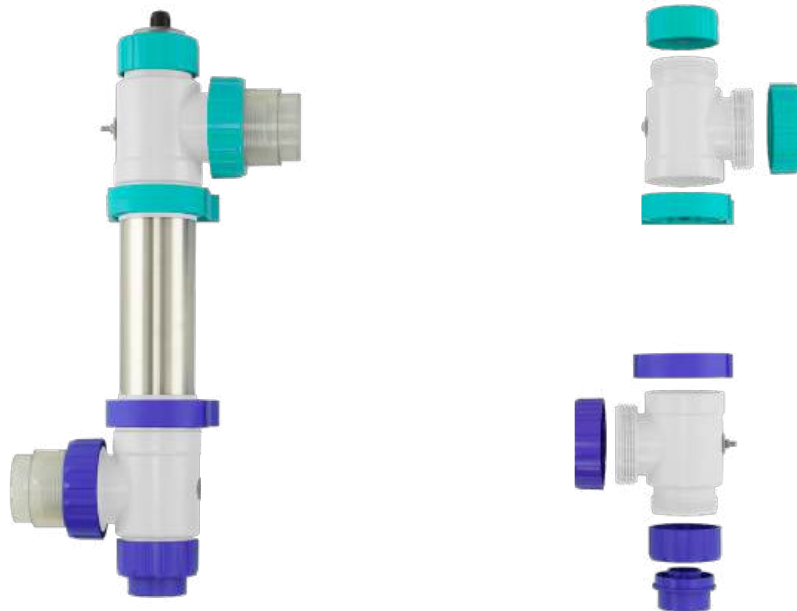
What We Provide:

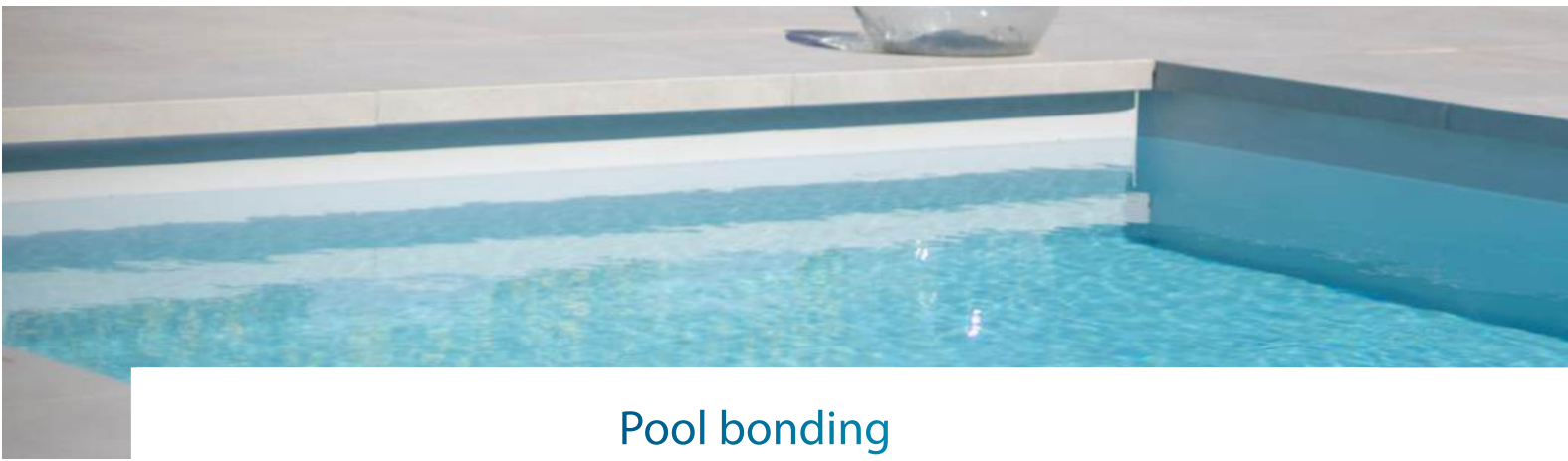
Our Private Label Basic Package:

- Neutral packaging with your custom-designed product stickers
- Neutral manual
- Your own product labels
- Standard lamp and spare parts

Optional Additions:

- Full-colour packaging
 - Customized product colours
 - Your own tailored manual
 - Private label UV-C lamp (matching colour/logo)
 - Private label UV-C lamp (with custom fitting)
- Other requests can be discussed. Please get in touch with our sales department.





Pool bonding

Although most devices, ladders, etc. in swimming-pools are made of stainless steel, oxidation is still possible. There are two important causes for corrosion:

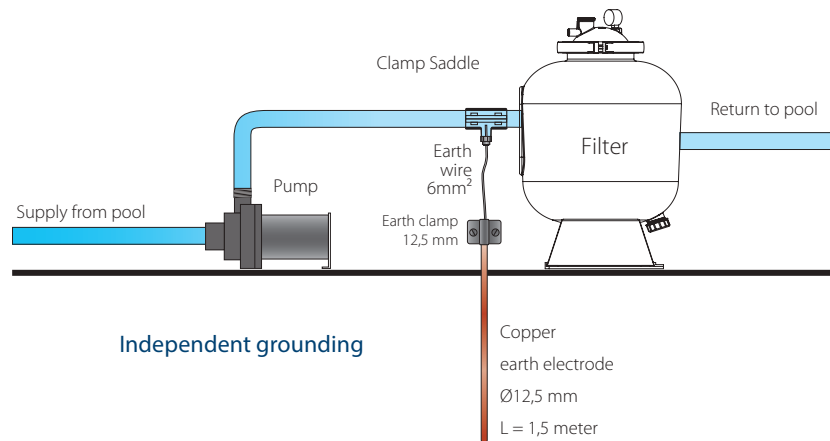
1. Insufficient grounding of pool water (pool bonding)
2. Corrosive water

Grounding

Every pool must be grounded independently (i.e. not to the electricity network). This is in particular for fibreglass/ polyester pools, pools with salt electrolysis and pools with stainless steel parts (pool ladders, UV-C units, etc.). A special grounding set ensures that potential differences created by static electricity, will be lead away. This will prevent depositing and/or oxidation to the pool, parts or technical equipment.

Salt

For Stainless steel 316 devices (such as UV-C lamps) the **maximum salt concentration is 5 grams/liter** for salt electrolysis systems.



Corrosive water

The tap water that is used to (re)fill up the pools normally has a constant and known composition. By adding chemical products for disinfection, pH regulation and by heating and moving the water, this composition changes. Pool water might turn corrosive (calcium dissolving) and can slowly dissolve the existing lime (in concrete and in joints between the tiles). Metals (ladders, heaters, UV-C devices, etc.) can also be affected.

Reversely, the water can also have calcium precipitating characteristics that can turn the water cloudy and the walls and floors can be covered by lime scale deposits.



To determine, whether the water is neutral, corrosive or calcium precipitating, you can use the so-called "Langelier Saturation Index". The Langelier saturation index (LSI) is a calculated number used to predict the calcium carbonate stability of water. It indicates whether the water will precipitate, dissolve or be in equilibrium with calcium carbonate. The LSI is expressed as the difference between the actual system pH and the saturation pH.

Examples of stainless steel 316L devices, which are damaged by corrosive water and/or grounding problems. These are no manufacturing or material faults, so they are not covered under warranty.



Corrosion of metal parts and devices in swimming pools

Correction in case of a too low saturation index

In case of a negative saturation index, below -0.3, a correction is recommended. The saturation index must be increased. This can be realised by increasing the sum of factors, by increasing one or more parameter values.

The measuring values are

- pH-value up to max. 7,6
- Alkalinity up to max. 300 mg CaCO₃/l
- Calcium hardness up to max. 200 mg CaCO₃/l

pH-value

An increase of the pH value with caustic soda or soda can be used as a short-time solution. For a good disinfection result a pH value between 7.1 and 7.3 is the best.

Alkalinity

The increase of alkalinity can be achieved by increasing the hydrogen carbonate content of the water with the help of sodium bicarbonate. If a too low hydrogen carbonate content is the case, it might be caused by a low HCO₃ content or by regular loss of the carbonic acid compounds as consequence of water movement or air geysers, you should add a solution of sodium bicarbonate with a dosing system.

The formula is as follows: $pH + TF + AF + CF - 12,1$

pH The measured pH-value of the pool water

TF The influence of the water temperature in the formula

AF The influence of the alkalinity in the formula (measured as hydrogen carbonate HCO₃ - or as calcium carbonate CaCO₃)

CF The influence of the hardness of calcium (measured as calcium carbonate)

°C	TF	CACO ₃ MG/L	TF	CF
0	0,0	25	1,4	1,0
3	0,1	50	1,7	1,3
8	0,2	75	1,9	1,5
12	0,3	100	2,0	1,6
16	0,4	150	2,2	1,8
19	0,5	200	2,3	1,9
24,5	0,6	300	2,5	2,1
29	0,7	400	2,6	2,2
34,5	0,8	800	2,9	2,5
40,5	0,9	1000	3,0	2,6

According to this calculation, water in balance should be within the range of -0.3 en +0.3.

Values below -0.3 indicate corrosive water.

Values above +0.3 indicate lime precipitating water.

PARAMETER	MEASURING VALUE	FACTOR	PARAMETER	MEASURING VALUE	FACTOR	PARAMETER	MEASURING VALUE	FACTOR
pH-value	7,4	7,4	pH-value	7,8	7,8	pH-value	7,1	7,1
Temperature	28	0,7	Temperature	29	0,7	Temperature	30	0,7
Total alkalinity	150mg/l CaCO ₃	2,2	Total alkalinity	195mg/l	2,3	Total alkalinity	100mg/l	2
Calcium hardness	150mg/l CaCO ₃	1,8	Calcium hardness	127mg/l	1,7	Calcium hardness	150mg/l	1,8
	Sum of factors	12,1		Sum of factors	12,5		Sum of factors	11,6

$$pH + TF + AF + CF - 12,1$$

$$(7,4 + 0,7 + 2,2 + 1,8) - 12,1 = 0,0$$

Water is in balance,

no correction necessary

$$pH + TF + AF + CF - 12,1$$

$$(7,8 + 0,7 + 2,3 + 1,7) - 12,1 = 0,4$$

Water is lime precipitating, **correction is necessary**

$$pH + TF + AF + CF - 12,1$$

$$(7,1 + 0,7 + 2 + 1,8) - 12,1 = -0,5$$

Water is corrosive,

correction is necessary



VGE PRO FOR PROFESSIONAL UV DISINFECTION SOLUTIONS

What makes the VGE Pro UV-C systems unique?

- VGE Pro UV-C systems have a stainless steel 316L or a HDPE treatment chamber
- Lamp (re)placement while unit is pressurised
- Visual lamp function indication on each lamp head
- VGE Pro UV units have Smart Pin Technology (SPT) or Single-end Bayonet Technology (SBT) for low-pressure and medium-pressure UV lamps, respectively, so that the lamps can be easily and safely replaced without removing connectors or shields
- Low pressure amalgam lamps for high performance levels, irrespective of the temperature of the water
- High quality lamps with a lifetime up to 16.000 and 9.000 hours for low-pressure and medium-pressure UV lamps, respectively
- Single systems can handle flows ranging from 0.5 m³/h up to 550 m³/h
- Customization of the device to your own specifications possible

VGE Pro UV control units

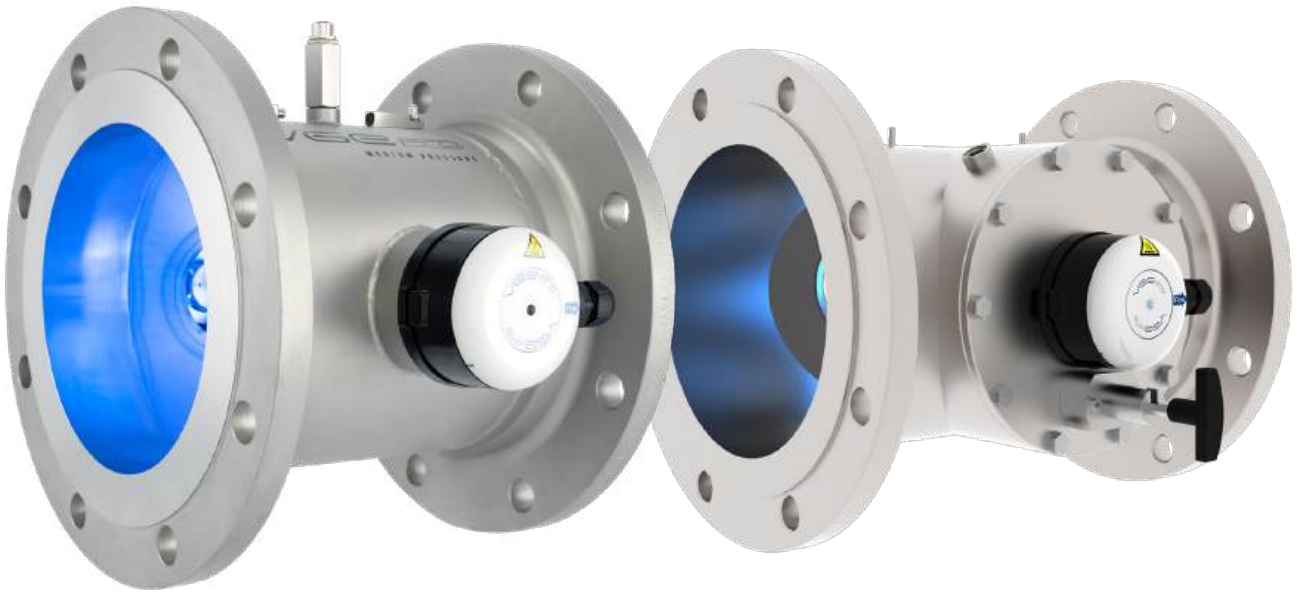


The VGE Pro Medium Pressure lamp UV systems can be controlled by two different systems: the Compact and Comfort controller.

The Compact controller is suitable for the Multimax and 600-85 medium pressure units and is a basic controller with a LED lamp life indicator.

The Comfort controller is suitable for the 600-85 up to 3000-326 medium pressure lamp units.

Optionally, a digital INOX UV-C sensor and/or a bolt-on treatment chamber temperature sensor can be connected.



INOX MEDIUM PRESSURE UV LAMP SYSTEMS

Benefits Medium Pressure lamp UV

The VGE Pro product range has low pressure and medium pressure UV lamp based systems. The medium pressure UV lamps emit a wide spectrum of Ultraviolet (UV) radiation which not only gives very good disinfection results but is also excellent for photolysis applications like the reduction of chloramine in pool applications. The single-ended lamp in combination with the S.B.T. (Single-end Bayonet Technology) and the on-chamber visual lamp status indication makes the systems extremely user friendly. We offer different systems with medium pressure lamps ranging from 400 W up to 3.5 kW.

- Compact design
- Cross flow treatment chamber design with low pressure loss
- Easy to (re)place single ended lamp
- Effective chloramine reduction

Single-end Bayonet Technology (SBT)

The lamp base is equipped with a bayonet technology closure. The lamp itself is single-ended which not only makes it easy to install and replace but also requires service space at only one side of the treatment chamber.



Benefits SBT

- Easy to (re)place
- Visual lamp indication in the lamp head
- Fast lamp (re)placement without tools
- Long lamp life



INOX LOW PRESSURE UV LAMP SYSTEMS

Benefits INOX UV

The high quality 316L stainless steel reactor of the VGE Pro INOX series have been designed to perform. After the high quality welding process the units are leak tested. After this process they get a pickling and passivation treatment which drastically improves the corrosion resistance and lifetime of the unit. Another last treatment with glass pearls (shot peening) gives the units a nice, matt grey surface.



- High corrosion resistance
- Easy to install
- UV radiation reflection
- Optional digital INOX UV-C sensor and bolt-on temperature sensor

VGE Pro UV control units



For the VGE pro UV systems based on low pressure UV lamps four different types of control units are available:

- Basic, high frequency and high efficiency lamp driver functionality;
- Control Timer, as Basic with LED display for lamplife indication;
- Control Monitor, as Control Timer with 2 line multicolour LCD display for lamplife indication, on/off counter and for UV intensity monitoring;
- Control Monitor Plus, as Control Monitor with 4 line display and full process control include water/chamber temperature measuring and control.



HDPE LOW PRESSURE UV LAMP SYSTEMS

Benefits HDPE UV

The high quality HDPE treatment chamber. of VGE Pro HDPE series have been designed to treat highly corrosive water. Besides that, HDPE is resistant to UV radiation. They are suited for all kinds of disinfection and UV-C treatment applications and can even be used for the production of ultrapure water, semiconductor-, pharmaceutical- and cosmetic industry.



- UV radiation resistant
- Suitable for corrosive water
- Easy to install
- Optional digital teflon UV-C sensor and HDPE water temperature sensor

Smart Pin Technology (SPT)



The VGE Pro UV-C Disinfection systems are equipped with the unique Smart Pin Technology (SPT). This innovative system is a reliable way to integrate the UV-C lamp(s) in a safe, efficient and smart way in a reactor. The SPT makes it possible to replace the lamp safely, although the system is filled with water and pressurized.

- Prevents the release of harmful UV-C radiation
- Changing the UV-C lamp with water in the system
- Splash proof
- Visual inspection for operation of the lamp
- Clamping system for optimal seal function
- Lamp replacement without tools



Clean and safe pool water

Swimming pools and spas are the perfect places to stay fit, have fun and relax. Unfortunately, they're also the perfect breeding ground for unwelcome guests: bacteria, viruses and other primitive organisms. The good news is there's a better way to clean water than with high doses of harsh chlorine: UV treatment. The brightest solution for safe, clean and healthy swimming water.

The clear choice

Our UV-C lamps significantly reduce the required concentration of chemicals needed to keep the pool clean. Saving swimmers from red eyes and skin irritations, not to mention unpleasant chlorine aromas in their hair and skin – making UV-C treated pools the preferred choice of swimmers.

Pure innovation

Philips UV-C lamps provide up to 12,000 hours of clean pool water. With a long and reliable lifetime, low energy and maintenance costs, and high end-of-life output. Containing very low levels of mercury, they're clearly better for the environment when they're disposed of.

You're safe with us

Philips has been at the forefront of innovation for over 100 years. Our comprehensive range of UV-C solutions covers water, air and surface disinfection, using low and medium pressure mercury lamps.

To find out more dive into our website at www.philips.com/uvpurification

innovation  you



PHILIPS



VGE UV-C Lamps

Besides the lamps used in Blue Lagoon products, VGE offers different replacement lamps. Below you find the different lamp types that VGE B.V. uses in her products. Furthermore you can find an overview of the lamps that can be bought for replacement next to the Blue Lagoon replacement lamps.

For the professional market it is also possible to deliver special high quality lamps with a higher wattage. For example lamps of 325 and 400 W. Please contact us by e-mail: info@vgebv.nl for the actual prices and delivery times.



TL lamps (T8) are double-ended UV-C (germicidal) lamps used in professional air disinfection units. Moreover, they have a long and reliable lifetime, which allows maintenance to be planned for in advance.



T6 are single-sided UV-C (germicidal) lamps that are used in professional water and air disinfection devices. The diameter of the lamp of 19 mm allows a small system design and flexibility in design. The T6 is mainly used in the amalgam version.



T5 lamps are single ended UV-C (germicidal) lamps used in professional water and air disinfection units. The small 16 mm diameter of the lamp allows for a small system design and design flexibility.



VGE Smart Pin Technology (S.P.T.) makes it possible to replace the lamp safely, while the system remains filled with water. If the lamp is not turned off during the replacement, it will switch off automatically as soon as it is removed from the socket.

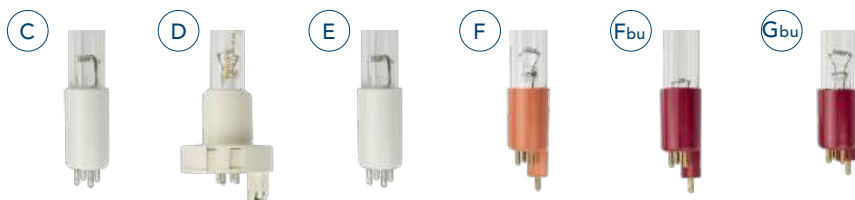


The **Philips Smart Cap** technology is an innovative development for optimal safety! The lamp base and the fitting, that goes into the housing of the lamp, are both provided with a safety switch. As soon as the lamp is taken out of the housing, the power supply is interrupted causing the lamp to switch off.



SBT lamps The lamp base is equipped with a bayonet technology closure. The lamp itself is single-ended which not only makes it easy to install and replace but also requires service space at only one side of the irradiation chamber.

VGE UV-C Lamps



Blue Lagoon UV lamps

Each Blue Lagoon unit is equipped with a UV lamp. Depending on the system the choice of lamp has been made.

To make sure a UV-C disinfection system keeps protecting bathers against pathogens such as moulds, viruses and bacteria, it is important to replace a UV-C lamp in time. The

average effective lifespan of a UV-C lamp is 9.000 hours.

An amalgam lamp has a longer lifespan of approximately 12.000 - 16.000 hours. Although the lamp will still continue to work after this period, its disinfecting value will rapidly decline from then on. To still guarantee the health of the bathers, it is important to replace the UV-C lamp in time.

T5 & T6 bulbs

Item. Nr.	Brand	Model	Box	Type	Base
E800900	Philips	TUV 16 W 4P-SE UNP	1	T5	C
E800901P	Philips	TUV 36T5 40 W 4P-SE	1	T5	C
E800902P	Philips	TUV 36T5 HO 75 W 4P-SE	1	T5	C
3903567	Philips	TUV 64T5 75 W 4P-SE (1.56m)	1	T5	C
B280005	Philips	TUV Smart Cap 75 W	1	T5	D
B280006	Philips	TUV Smart Cap 40 W	1	T5	D
E800904	Philips	TUV XPT 130 W 4P-SE Amalgam	1	T6	E
E800901L	LightTech	T5 40 W 4P-SE	1	T5	C
E800902L	LightTech	T5 75 W 4P-SE	1	T5	C
F980005	LightTech	T6 130 W 4P Amalgam	1	T6	E
3903025	VGE - LightTech	T6 325 W 4P-SE Amalgam	1	T6	E
F980115	LightTech	T6 200 W 4P Amalgam	1	T6	E
4800070AM	VGE - LightTech	T5 40 W 4P Amalgam	1	T5	C
4800082AM	VGE - LightTech	T5 80 W 4P Amalgam	1	T5	C
3903073	VGE	4P-SE 40 W T5	25	T5	C
3903074	VGE	4P-SE 75 W T5	25	T5	C
F980122	VGE - LightTech	T5 21 W 4P HO	1	T5	X

VGE UV-C Lamps



Unit specific lamps

Item. Nr.	Brand	Model	Box	Type	Base
F980065	VGE - LightTech	T5 16 W 4P-SE	1	T5	F
F980068	VGE - LightTech	T5 40 W 4P-SE, length 365mm (short)	1	T5	F
F980002	VGE - LightTech	T5 40 W 4P-SE	1	T5	F
F980004	VGE - LightTech	T5 75 W 4P-SE	1	T5	F
F980078BU	VGE - LightTech	T5 40 W 4P-SE	1	T5	F(bu)
F980079BU	VGE - LightTech	T5 75 W 4P-SE	1	T5	G(bu)
4800033	VGE - LightTech	T5 75 W 4P-SE Ozone	1	T5	H
F980008	VGE - LightTech	T6 130 W Amalgam 4P	1	T6	M
F980010	VGE - LightTech	T5 80 W 4P	1	T5	X
F980020	VGE - LightTech	T6 140 W Amalgam 4P	1	T6	X
F980120	VGE - LightTech	T5 21 W 4P	1	T5	G
F980122	VGE - LightTech	T5 20 W 4P HO	1	T5	X
F980124	VGE - LightTech	T5 40 W 4P HO	1	T5	X
B280002	VGE - LightTech	T5 40 W Ionizer, length 635mm (short)	1	T5	K
B280001	VGE - LightTech	T5 75W Ionizer, length 645mm (short)	1	T5	K
3903114AM	VGE	T5 42W	1	T5	Y
B212012	Philips	Replacement module 12 W 230 V	1	PL-S	J
B212012 USA	Philips	Replacement module 15 W 120 V	1	PL-S	J

TL bulbs

Item. Nr.	Brand	Model	Box	Type	Base
3903071	VGE	TL 30 W T8	25	TL	I
3903072	VGE	TL 55 W T8	25	TL	I

Unit specific lamps

Item. Nr.	Brand	Model	Box	Type	Base
F980086	VGE	Replacement lamp Delta EA-3H-5 / 35 W	50	T5	C
F980080	VGE	Replacement lamp Delta EA-3/4H-10 / 45 W	50	T5	C
F980082	VGE	Replacement lamp Delta EA-4/4H-20 / 90 W	50	T5	C
F980084	VGE	Replacement lamp Delta EA-4H-40 / 110 W	60	T5	C
F980088	VGE	Replacement lamp BIO-UV 10 / 38W	50	T5	C
F980090	VGE	Replacement lamp BIO-UV 20 / 59W	50	T5	C
F980092	VGE	Replacement lamp BIO-UV 30 / 87W	50	T5	C
F980094	VGE	Replacement lamp BIO-UV 40 / 102W	60	T5	C
F980102	VGE Pro - LightTech	SPT 140W 867mm	1	T6	L
F980103	VGE Pro - LightTech	SPT 200W 1115mm	1	T6	L
F980107	VGE Pro - LightTech	SPT 40W 389mm	1	T5	L
F980108	VGE Pro - LightTech	SPT 75W 867mm	1	T5	L
F980104	VGE Pro - LightTech	SPT 325W 1588mm	1	T6	L
F980112	VGE Pro - LightTech	SPT 400W 2000mm	1	T6	L

UVC Germicidal Lamps Global Leaders

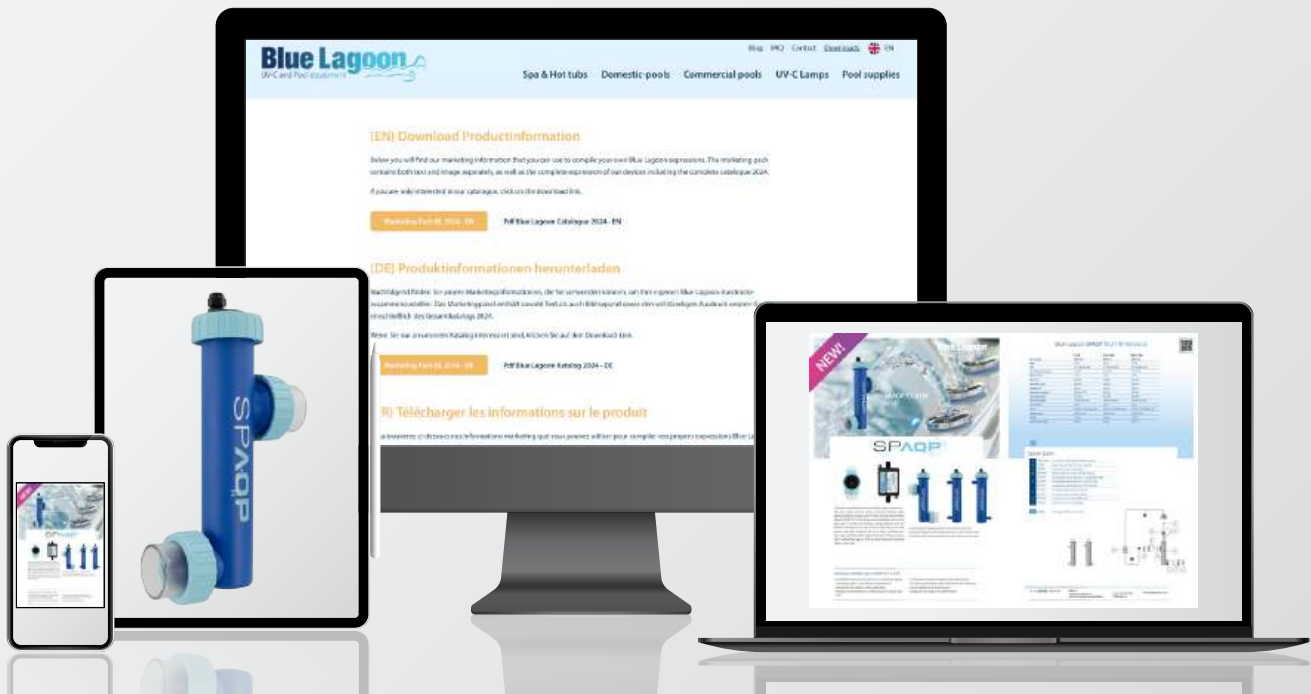
Light Sources and Lighttech, global leaders in UVC Germicidal Lamps, offer unmatched innovation in the design and manufacture of our lamp products. With both of our state of the art manufacturing facilities, we can supply the world market with high-quality standard lamp designs as well as custom designed lamp solutions for your specific applications.



Amalgam Lamps
Soft Glass
U Shaped
Cell Lamps

Compact Lamps
Standard Output
High Output
Ozone Producing

Medium Pressure (MPUV/MPHO)
OEM - Proprietary Base Solutions
Custom Lamp Configurations



Blue Lagoon promotional activities support



Scan the QR code on this page to be automatically directed to the download link. Be fully prepared for this year's pool season with Blue Lagoon. The information download includes:

The Digital Information Pack includes:

- The latest Blue Lagoon brochure (updated regularly)
- Product images and details for your website
- Product flyers for public distribution
- Detailed product sheets explaining technology and specifications
- The six key benefits of UV-C disinfection systems for pools
- Spare parts overviews
- Links to instructional videos

Blue Lagoon Digital Information Pack

To help our partners inform new and returning customers about the latest UV-C products and innovations, we have assembled a comprehensive digital information pack. Whether you need product details for wholesale distribution or technical specifications for your installation professionals, our pack includes everything you need and is regularly updated.



Blue Lagoon
Information Pack



Blue Lagoon
Youtube playlist

Copper Electrolyzer



Blue Lagoon Copper Electrolyzer



The Blue Lagoon Copper Electrolyzer ensures clean and healthy pool water through copper electrolysis. It is recommended to use the Copper Electrolyzer in combination with a UV-C disinfection system for optimal results.

Operation

The Blue Lagoon Copper Electrolyzer will disinfect the water in your swimming pool through copper electrolysis. We recommend to use this device in combination with a UV-C device for the best result. The Blue Lagoon Copper Electrolyzer will, before the water goes back to the pool, be mounted between the pipes. The swimming pool water then flows through the housing of the Blue Lagoon Copper Electrolyzer. A copper unit, or Electrolyzer, is positioned within the housing, and the copper unit discharges a minimal amount of copper into the water flowing through the housing.

These copper ions (Cu^{2+}) in the water have a positive charge and destroy the cell walls of algae, bacteria, viruses and other microorganisms. As the cell wall is thereby damaged, these organisms are no longer able to take up any nutrients and are therefore unable to multiply. The process of applying a positive charge to copper is called copper electrolysis. The copper in the water acts as a disinfecting buffer in your swimming pool. Thanks to the Blue Lagoon Copper Electrolyzer, your swimming pool water will be disinfected efficiently and safely and the quality of your water will remain excellent.

Pending EU regulations or conditional approval, national regulations apply to the trade and use of copper-containing products. The copper used in these units complies with the REACH registration. It is the sole responsibility of the buyer to inform himself/herself about applicable local regulations regarding the use of (and trade in) copper for water disinfection.

Advantages of the Blue Lagoon Copper Electrolyzer

- The copper unit will last for two swimming seasons
- Easy installation and maintenance
- Ideal for use in combination with UV-C
- Made in the Netherlands

Blue Lagoon Copper Electrolyzer Technical



COPPER ELECTROLYZER

Art. number	BE05752
EAN	8714404039017
Max. pressure	1 bar
Max. flow	13.000 L/h
Diameter unit Ø	59 mm
Copper lonizer	0,7 ppm
Length unit	34 cm
Diameter in-outlet Ø	48/50 mm
Housing material	PCASA
Electronic ballast	230 V AC 50 Hz
Weight	2,32 Kg
Quantity full pallet	90 pcs

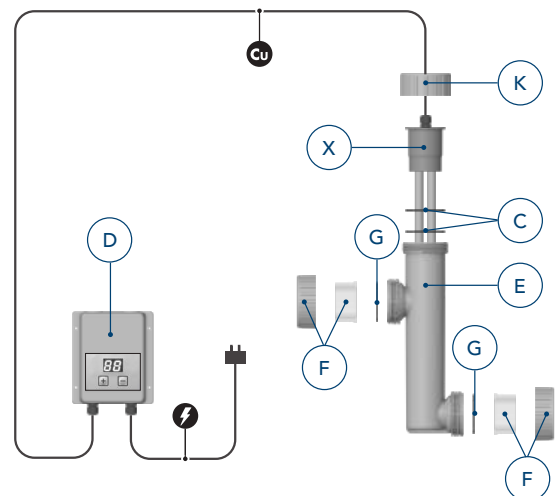


What is the disinfection mechanism of copper ionization?

Electrically charged copper ions (Cu^{2+}) in the water search for particles of opposite polarity, such as bacteria, viruses and fungi. Positively charged copper ions form electrostatic compounds with negatively charged cell walls of microorganisms. These compounds disturb the cell wall permeability and cause nutrient uptake to fail. As a result, bacteria are no longer able to multiply and eventually die. The ions remain active until they are absorbed by a microorganism.

Spare parts

C	3902041	O-ring NBR 56x3
D	B290076	Control Box for Copper Electrolyzer
E	B212013	Housing Blue Lagoon Spa UV-C / Copper Electrolyzer
F	B212014	Set (2pcs) 3-way connection 50 mm
F	B212015	Set (2pcs) 3-way connection 48 mm
G	E801509	O-ring 3-way connection NBR 53x4,5
K	B290010	Nut 70 mm x 33.5 mm for end cap ABS Blue
X	B290029	Copper set base + cable connector
Y	B200020	Test strips for lonizer (50 strips)





Profiheater

Blue Lagoon Profiheater 3 kW



The Blue Lagoon ProfiHeater is very suitable for warming water. The heater is very easy to install in and around filter installations and applicable for various pools.

Operation

The Profiheater can be used for warming your swimming pool water as it is equipped with an adjustable thermostat. Both the heating element with temperature sensor and the interior of the casing are manufactured from high-quality 316L stainless steel. The Profiheater can be connected using a flexible hose (Ø25, 32 and 40 mm) or PVC tubing (Ø50 and 63 mm). The Profiheater is available in 3kW. Max. pressure: 2 bar. It is advised to use a Flow Switch Plus to prevent overheating of the unit at insufficient water flow.



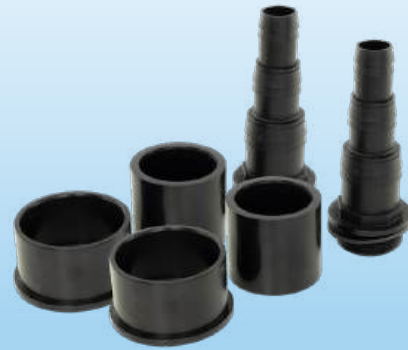
Advantages of the Blue Lagoon Profiheater 3 kW

- Built-in heating element with thermostat
- 316L stainless steel body
- Universal fittings included
- Made in the Netherlands

Blue Lagoon Profiheater 3 kW Technical

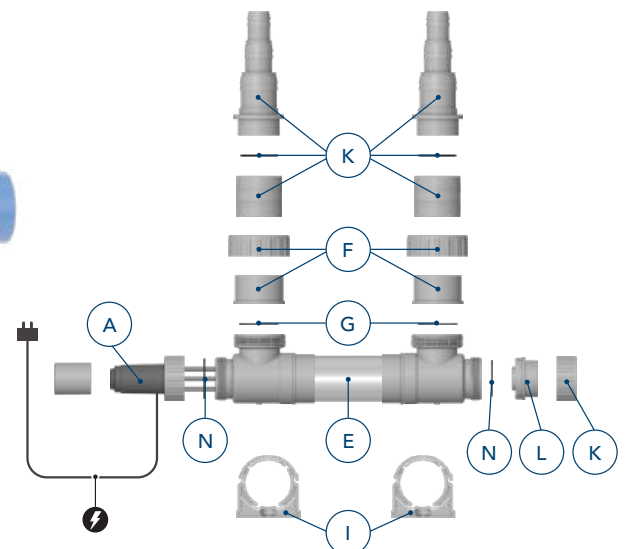
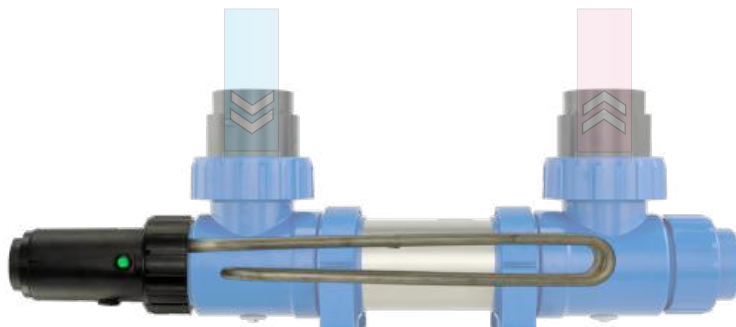


	3 kW
Art. number	E830010
Type	75 W
EAN	8714404034173
Max. pressure	2 bar
Max. flow	10.000 L/h
Length unit	56 cm
Diameter in-outlet Ø	63 - 50 - 40 - 32 - 25 mm
Housing material	316L
Weight	3,5 Kg
Quantity full pallet	60 pcs



Spare parts

A	6900393	Heater element for ProfiHeater 3kW
E	E830011	Housing Blue Lagoon ProfiHeater 1/2/3 kW
F	E800940	Set (2pcs) 3-way coupling black
G	E800941	Set (3pcs) O-rings 3-way connection
I	B290006	Mounting bracket 75 mm PP Blue
J	F990113	End cap 32 mm ABS Blue
K	B290010	Nut 70 mm x 33.5 mm ABS Blue
L	F990107	End cap 32 mm ABS Black
N	3902110	O-ring EPDM 59.99 mm x 2.62 mm
Z	7201142	Reduction set (2pcs) 63 mm glue/screw hose connect. 40-32-25 mm





Dosatech

Blue Lagoon Dosatech



The Blue Lagoon Dosatech is the ideal peristaltic pump for dosing of liquids (flocculant, natrium bicarbonate) into the piping system of your swimming pool. Due to its 3-button controller, the Dosatech is very easy to program and operate.

Operation

The Blue Lagoon Dosatech is the ideal peristaltic pump for dosing a liquid solution (flocculant, natrium bicarbonate) into the piping system of your swimming pool. The neoprene hose makes it possible to add various types of chemical solutions to the water of your swimming pool.

Due to its 3-button controller, the Dosatech is very easy to program and operate. The Blue Lagoon Dosatech makes a dosage up to 600 seconds per dosing, up to 24 times a day, possible. In addition, the Blue Lagoon Dosatech is easy to install thanks to the compact design and the supplied suction and injection nipples. Installation is also possible in combination with a (existing) Blue Lagoon UV-C system.

Advantages of the Blue Lagoon Dosatech

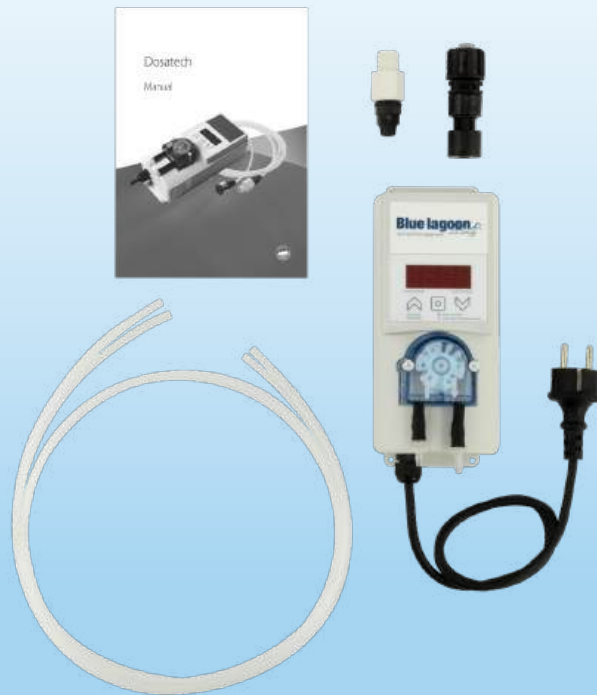
- Very easy 3-button operation and programming
- External automation possible for one or more dosage pumps
- Dosage up to max. 600 seconds per turn.
Maximum 24 runs per day.
- The possibility to change the dosage every hour
- Neoprene hose
- Easy to install and easy to maintain
- Compact design
- Easy to combine with a Blue Lagoon UV-C unit
- Suction and injection nipples supplied
- Made in the Netherlands

Blue Lagoon Dosatech Technical



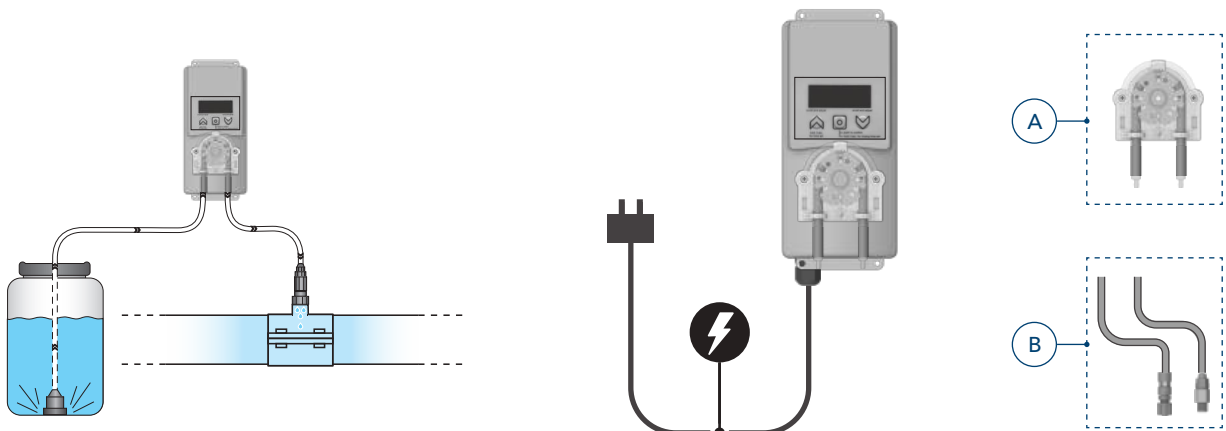
DOSATECH

Art. number	B210010N
EAN	8714404987417
Rotation	30 rpm
Dimensions LxWxH	80x90x215mm
Electronic ballast	230 V AC 50 Hz
Power	5 W
Weight	1,5 Kg
Quantity full pallet	216 pcs



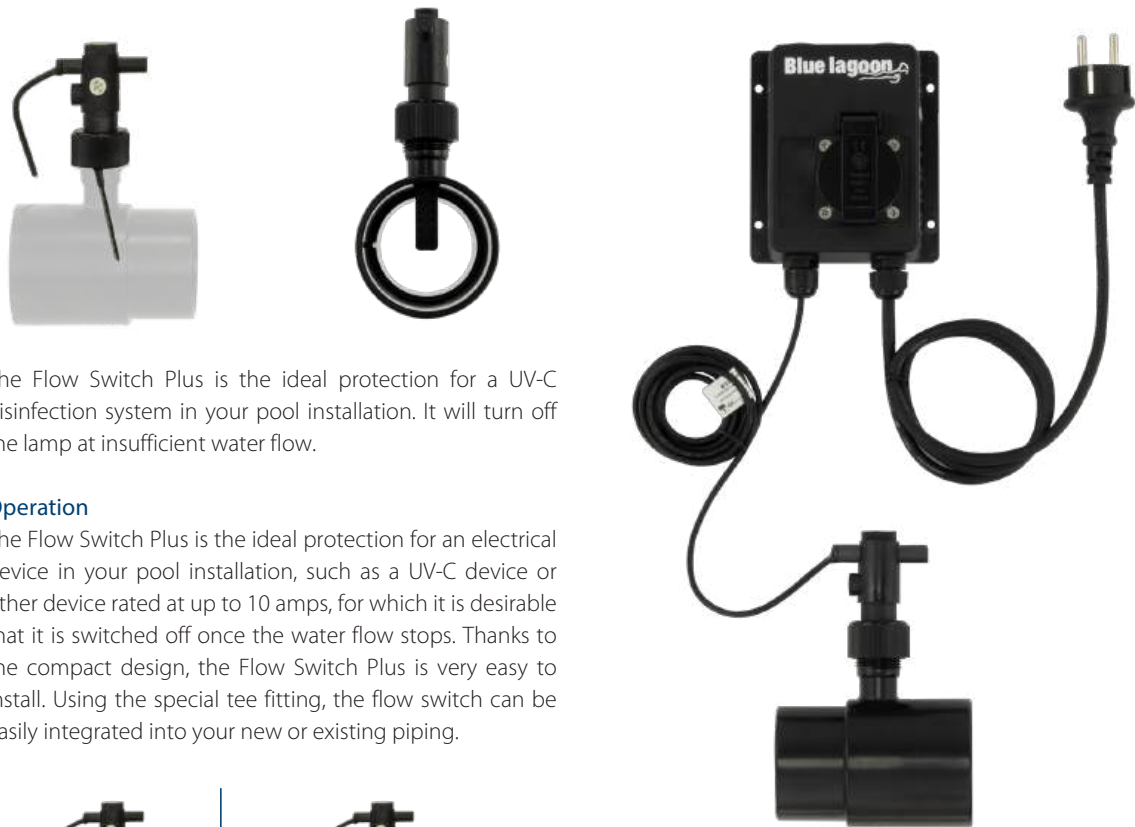
Spare parts

A	B290065	Replacement pump head for Dosatech
B	B200030	Replacement kit for dosing pump pool (hose + nipples)





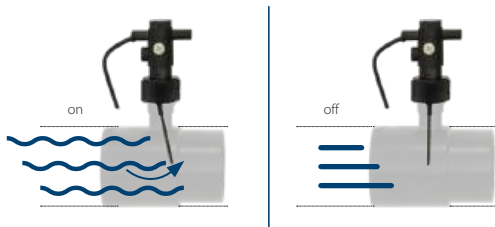
Blue Lagoon Flow Switch Plus



The Flow Switch Plus is the ideal protection for a UV-C disinfection system in your pool installation. It will turn off the lamp at insufficient water flow.

Operation

The Flow Switch Plus is the ideal protection for an electrical device in your pool installation, such as a UV-C device or other device rated at up to 10 amps, for which it is desirable that it is switched off once the water flow stops. Thanks to the compact design, the Flow Switch Plus is very easy to install. Using the special tee fitting, the flow switch can be easily integrated into your new or existing piping.



Advantages of the Blue Lagoon Flow Switch Plus

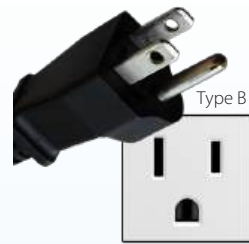
- Prevents systems from running without flow
- Easy installation thanks to the compact design
- Easy to combine
- Also suitable for salt-water systems

Blue Lagoon Flow Switch Plus Technical



120 V (Type B)

Art. number	5056584
Type	Type B
EAN	8714404044622
Voltage	120 V AC
Frequency	60 Hz
IP Class	54
Connection size, tee fitting	2"
Minimum flow	5,8 gpm
Maximum flow	100 gpm



230 V (Type E)

Art. number	5056586
Type	Type E
EAN	8714404044554
Voltage	230 V AC
Frequency	50 Hz
IP Class	54
Connection size, tee fitting	63 mm
Minimum flow	1,5 m ³ /h
Maximum flow	23 m ³ /h



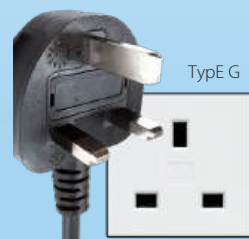
230 V (Type F)

Art. number	5056579
Type	Type F
EAN	8714404044486
Voltage	230 V AC
Frequency	50 Hz
IP Class	54
Connection size, tee fitting	63 mm
Minimum flow	1,5 m ³ /h
Maximum flow	23 m ³ /h



230 V (Type G)

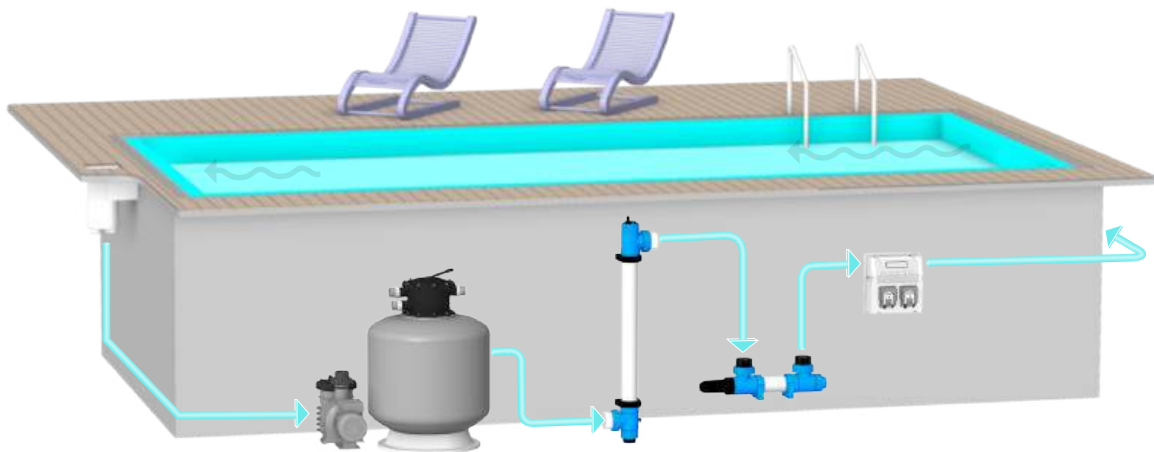
Art. number	5056587
Type	Type G
EAN	8714404044936
Voltage	230 V AC
Frequency	50 Hz
IP Class	54
Connection size, tee fitting	63 mm
Minimum flow	1,5 m ³ /h
Maximum flow	23 m ³ /h



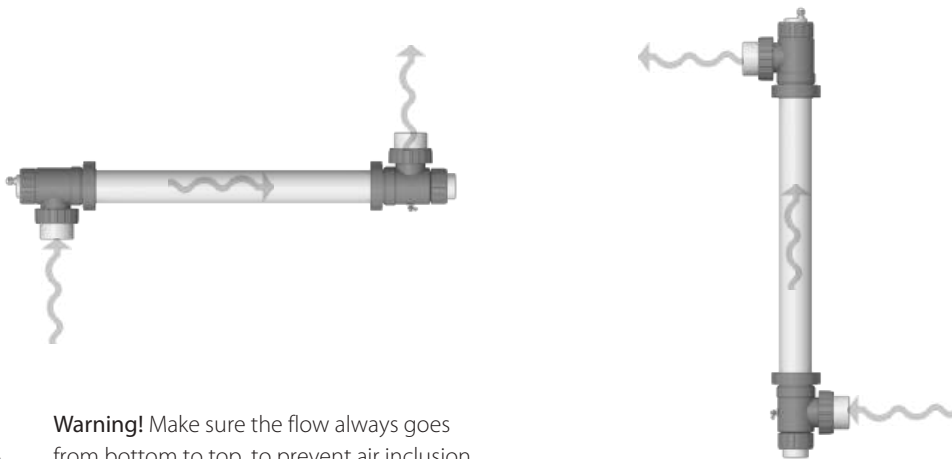


Installation

Installation schematic



Installation and correct flow direction



Warning! Make sure the flow always goes from bottom to top, to prevent air inclusion.

General terms and conditions of sale VGE B.V

1. Orders

- 1.1 VGE B.V. ("VGE") is allowed to accept and reject orders of Buyer at its sole discretion. An agreement will be deemed to have been concluded after VGE has confirmed an order placed by the Buyer, or has commenced the execution of that order.
- 1.2 All offers of VGE are valid for a maximum of 30 calendar days.
- 1.3 In the event that an agreement is concluded by e-mail, an agreement may be concluded without VGE having to fulfill any conditions provided by law pertaining to electronic communication and/or electronic conclusion of agreements.
- 1.4 The Buyer will be entitled to cancel an order only after receiving written consent from VGE, which consent may be made subject to conditions as deemed appropriate by VGE.

2. Delivery

- 2.1 Unless otherwise agreed in writing, the goods will be delivered Ex Works, Incoterms 2010 or, if any, a more recent version of the Incoterms. The Buyer will be obliged to take delivery of the goods upon VGE's request.
- 2.2 Any delivery times quoted or agreed on by VGE may not be considered to be firm deadlines, unless explicitly agreed otherwise in writing between the parties. In the event of late delivery, VGE must be declared to be in default in writing, in which connection VGE will be granted a reasonable term of at least 14 calendar days as of the date of the receipt of notification to fulfill its obligations. In the event that such extended term is exceeded, the Buyer will be entitled to dissolve the agreement or part of the agreement only with respect to the goods not delivered. In such an event, VGE will not be liable to pay damages, unless such damages are the consequence of gross negligence or willful misconduct of VGE's executive management.
- 2.3 VGE is entitled to deliver and invoice the goods in installments, unless the goods in question do not have any stand-alone value in VGE's opinion.
- 2.4 If at the request of Buyer VGE holds a specified stock of goods that the Buyer can order on demand, the Buyer will order such goods within 6 months from the date of the Buyer's request to keep such goods in stock. If the Buyer fails to do so, he will nevertheless be liable to pay the purchase price. Unless agreed otherwise the delivery time for goods that are available on demand is 15 working days from the day of the order.
- 2.5 The Buyer is obliged to accept delivery of the goods upon VGE's request. If Buyer fails to accept delivery, the Buyer will be liable for all costs and damages resulting therefrom, including but not limited to the costs of storing and re-delivering the goods.
- 2.6 VGE will be entitled to charge the costs of any packaging separately. The packaging will not be taken back. Should VGE, however, be obliged by law or any regulations to take packaging back, any costs related to taking back or processing packaging will be borne by the Buyer.

3. Price and Payment

- 3.1 Unless explicitly agreed otherwise in writing, all prices are quoted exclusive of VAT, transport and insurance costs and all other costs. A quoted or agreed price is valid for one order only, unless the parties have explicitly agreed otherwise in writing.
- 3.2 VGE will be entitled to adjust prices agreed upon before delivery in the event of increases in cost- determining factors such as fluctuations in exchange rates, raw materials, labor costs or in the event of government measures, provided that such increases or measures occurred after the conclusion of the agreement but before delivery.
- 3.3 Unless explicitly agreed otherwise in writing, the Buyer will pay the entire purchase price in advance upon placement of an order, in euros and by transfer to or deposit into an account indicated by VGE, without any deduction, discount or set-off. Submission of a complaint will not suspend the Buyer's obligation to pay.
- 3.4 If the Buyer fails to timely make a payment in accordance with article 3.3, the Buyer will be in default and all claims of VGE will become fully due and payable immediately, without prejudice to any other rights that VGE may have by under these terms and conditions or the law.
- 3.5 If at any time VGE International B.V. has doubts as to the Buyer's creditworthiness, VGE International B.V. will have the right, before commencing or continuing its obligations, to require the Buyer to provide adequate security in the amount of the sums which are or will be owed to VGE International B.V. by the Buyer, whether or not immediately payable, under the agreement, all at VGE International B.V.'s discretion.
- 3.6 In the event of untimely payment, VGE will be entitled to compensation of all extra-judicial costs, including but not limited to costs involved in sending reminders, one or more notices of default or demand notices, which extra-judicial costs will amount to at least 15% of the total amount payable, subject to a minimum of EUR 500, without prejudice to any other rights that VGE may have by virtue of these terms and conditions or the law.
- 3.7 In the event that VGE is fully or largely successful in legal proceedings against the Buyer, the Buyer will be obliged to compensate all costs incurred by VGE in connection with such proceedings, even to the extent that such costs exceed the cost award made by the court. VGE may invoke this clause irrespective of whether the Buyer has appealed against the relevant judgment at the court of appeal or the Supreme Court.

4. Retention of title

- 4.1 VGE will retain title to all goods delivered and to be delivered to the Buyer until full payment of all purchase amounts has been received, as well as any amounts owed by the Buyer pertaining to work performed by VGE in connection with such purchase agreements and any claims pursuant to any failure in the performance of such agreements on the part of the Buyer.
- 4.2 The Buyer will be obliged to store the goods delivered under retention of title with due care, ensuring that they are recognizable as the property of VGE. In addition, it will be obliged to insure such goods against, inter alia, fire and water damage and theft. The Buyer will pledge to VGE any claims it has pursuant to such insurance policies upon VGE's first request, as additional security with respect to VGE's claims against the Buyer.
- 4.3 In the event that the Buyer fails in the performance of any obligation vis-à-vis VGE, or in the event that VGE has good reason to fear that the Buyer will fail in the performance of its obligations, VGE will be entitled to recover the goods delivered under retention of title or to have such recovered, even when the goods have to be detached. The Buyer will cooperate accordingly. The Buyer will bear the costs of recovery, without prejudice to VGE's right to further damages.

5. Characteristics of Goods

- 5.1 The goods will comply with any specifications explicitly agreed upon in writing and be free from defects in material and workmanship under normal use consistent with VGE's instructions for a period of 12 months from delivery to the Buyer.
- 5.2 Any and all images and specifications of goods in catalogues, price lists, advertisements, etc. and any samples of the goods must be deemed to be representations by approximation only, unless VGE has explicitly indicated the contrary in writing with regard to a specific delivery.
- 5.3 If the goods are intended to be used in a country outside the Netherlands, VGE is not responsible to ensure that the goods comply within any laws and other requirements

applicable in such other country, unless the parties have (i) explicitly agreed otherwise in writing and (ii) the Buyer has correctly informed VGE on the exact content of such requirements.

- 5.4 VGE is at all times entitled to effect adjustments in the goods to be delivered, in order to improve them or comply with government regulations.
- 5.5 VGE has no obligation and Buyer shall have no rights in relation to any characteristics and/or performance of the goods other than the characteristics and the performance that are applicable or agreed pursuant to this article 5.

6. Complaints and Inspection

- 6.1 The goods delivered must be checked by or for the Buyer upon delivery with respect to numbers and visible defects and any shortages or visible defects must be reported to VGE within 3 working days after delivery. The Buyer must report defects not visible upon delivery within 3 working days of their discovery, though in any event within 3 working days after the time that the Buyer should reasonably have discovered them.
- 6.2 The Buyer will be obliged to perform the inspection or to have the inspection performed with due care, upon receipt of the goods. The Buyer will bear the risk for inspecting the goods by means of random checks and may not rely on the fact that it did not observe a defect that was visible and could have been discovered upon delivery because it—or a third party engaged by it—did not inspect the entire shipment.
- 6.3 In the event that a good does not comply with article 5 of these conditions, VGE will only be obliged—to be decided at the VGE's discretion—to repair the defect, to replace the relevant good or to credit or refund the amount charged in connection with the defective good in whole or in part, according to its own reasonable judgment and to the exclusion of any other rights of the Buyer by law.
- 6.4 The Buyer will not be entitled to any claim if the non-compliance with article 5 cannot be attributed to VGE, e.g. results from any transport, incorrect operation, installation, storage or maintenance by the Buyer or a third party.
- 6.5 Any and all claims for payment of an amount of money and/or repair of the relevant good and/or replacement of the good and/or supply of any missing part, on whatever basis, as well as any right to dissolve the agreement will lapse at the earliest of the following times: a) upon late reporting pursuant to article 6.1 or b) 12 months after the delivery date.

7. Liability

- 7.1 Without prejudice to article 2.2, any liability on the part of VGE on the basis of an attributable failure with respect to an agreement concluded with the Buyer will be restricted to the provisions laid down in article 6.3.
- 7.2 VGE will assume no liability with respect to damage as a consequence of or related to any errors or omissions in advice rendered by it, nor will it assume any liability with respect to damage as a consequence of or related to errors or omissions in the processing instructions recommended by it.
- 7.3 Without prejudice to article 7.1, VGE will not—irrespective of the legal basis of the Buyer's claim—be liable for any consequential damages, including but not limited to losses due to delays or loss of data, lost profits and penalties forfeited by the Buyer.
- 7.4 The above-mentioned restrictions with respect to liability will not apply in the event that the damage is the consequence of gross negligence or willful misconduct on the part of VGE's executive management.
- 7.5 The Buyer will indemnify VGE against any damage resulting from claims by third parties in connection with goods supplied by VGE.

8. Force majeure

- 8.1 If VGE fails in the performance of its obligations due to an event of force majeure, it will not be liable. To the extent that the circumstance making performance impossible is not of a permanent nature, VGE's obligations will be suspended. In the event that the period during which performance is not possible due to force majeure exceeds 2 months or is expected to exceed 2 months, both parties will be entitled to cancel the agreement, without any obligation to pay the damages that may arise as a result.
- 8.2 In the event that VGE has already partially fulfilled its obligations upon the occurrence of the situation of force majeure, or is only able to fulfill its obligations in part, it will be entitled to separately invoice the part already supplied or the part that can still be supplied and the Buyer will be obliged to pay that invoice as if it pertained to a separate agreement.
- 8.3 A situation of force majeure affecting VGE within the meaning of this article will be deemed to have occurred in the event of, inter alia, strikes, a shortage of raw materials, delay, transport problems, war or threat of war, full or partial mobilization, riots, sabotage, floods, fire or other forms of destruction within VGE's company, lockouts and industrial actions, breakdowns of machines or tools or other breakdowns within VGE's company. A situation of force majeure must also be deemed to have occurred on the part of VGE in the event that one or more of the above-mentioned circumstances occurs within the companies of VGE's suppliers and as a consequence VGE cannot or could not perform its obligations, or cannot or could not perform such in good time.

9. Suspension and dissolution

Without prejudice to VGE's rights under these terms and conditions or under the law, VGE will at any event be entitled to suspend (further) performance or to dissolve any agreement concluded with the Buyer, in whole or in part, if (i) any goods made available by VGE to the Buyer become subject to attachment, (ii) the Buyer is granted a suspension of payments or is declared bankrupt, (iii) any permits or licenses required for the performance of the agreement are withdrawn, (iv) the Buyer fails to fulfill one or more of its obligations ensuing from any agreement with VGE, (v) VGE has sound reasons to believe that the Buyer is or will be unable to fulfill its obligations under any agreement, or (vi) the Buyer ceases its business or if a change occurs in the control of that business. Any right of the Buyer to suspend performance is hereby excluded.

10. Applicable law and dispute resolution

10.1 These terms and conditions and all quotations from and agreements with VGE will be governed by Dutch law. The UN Convention on Contracts for the International Sale of Goods ("CISG") does not apply.

10.2 In the event that the Buyer is domiciled in a Member State of the European Union or in Norway, Switzerland or Iceland at the time that proceedings are commenced, any and all disputes relating to these terms and conditions and/or any quotations or agreements to which these terms and conditions are applicable will exclusively be settled by the competent court in Amsterdam, the Netherlands. The above will not affect VGE's right to submit a dispute to the court that would be competent in the absence of this provision.


In the event that the Buyer is not domiciled in a Member State of the European Union or in Norway, Switzerland or Iceland upon the commencement of proceedings, any and all disputes relating to these terms and conditions and/or any quotations or agreements to which these terms and conditions are applicable will exclusively be settled in accordance with the rules of the Netherlands Arbitration Institute [Nederlands Arbitrage Instituut, or NAI]. Arbitration will take place in Amsterdam, the Netherlands. The case will be submitted to three arbitrators and the arbitration proceedings will be conducted in Dutch.

Blue Lagoon

UV-C and Pool equipment



The difference is clear



VGE B.V.

• Nieuwe Eerdsebaan 26
• 5482 VS Schijndel The Netherlands

• Tel. +31 88 222 1999
• info@vgebv.nl
• www.bluelagoonuv.com